

4

3

2

1

1.0 MATERIAL & FINISH:

- 1.1 BODY: BRASS, GOLD PLATED
 1.2 CENTER CONTACT: BERYLLIUM COPPER ALLOY, GOLD PLATED
 1.3 OUTER CONTACT: BERYLLIUM COPPER ALLOY, ALBALOY PLATED
 1.4 INSULATOR: PTFE
 1.5 UNLOCK SLEEVE: BRASS, ALBALOY PLATED

3.0 ELECTRICAL DATA:

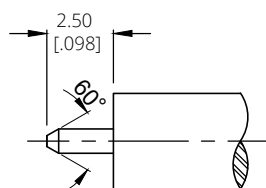
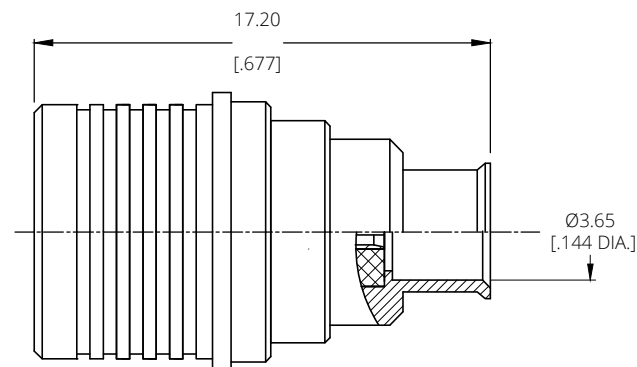
- 3.1 IMPEDANCE: 50 Ω
 3.2 FREQUENCY RANGE: DC~18 GHz
 3.3 VSWR: 1.25 MAX. @ DC~6GHz

2.0 ENVIRONMENTAL DATA:

- 2.1 TEMPERATURE RANGE: -55°C~+125°C
 2.2 2011/65/EU (RoHS): COMPLIANT

REVISIONS

REV.	DESCRIPTION	DATE	APPROVED
A	INITIAL RELEASE	07/26/23	J. Q



CABLE STRIPPING DIMENSIONS

DRAWN	L. Y	DATE	07/26/23
CHECKED	W. Y	DATE	07/26/23
APPROVED	J. Q	DATE	07/26/23

UNLESS OTHERWISE SPECIFIED DIMENSIONS ARE IN MILLIMETERS, DIMENSIONS IN [] ARE IN INCHES FOR CUSTOMER REFERENCE ONLY UNLESS OTHERWISE SPECIFIED TOLERANCE ARE:

.XX	±0.13 [0.005"]
.X	±0.20 [0.008"]
X	±0.50 [0.019"]
.X°	±1°
X°	±2°

THESE DRAWINGS AND SPECIFICATIONS ARE THE PROPERTY OF ANOISON ELECTRONICS LTD AND SHOULD NOT BE USED WITHOUT WRITTEN PERMISSION COPYRIGHT © 2023 ANOISON ELECTRONICS LTD



TITLE

QMA STRAIGHT MALE SOLDER FOR .141 CABLE CAPTIVATED CONTACT

VIEW



PART NO.

ANO 2611-2131

SIZE
A3SCALE
5:1SHEET
1/1REV.
A