

4

3

2

1

1.0 MATERIAL & FINISH:

- 1.1 BODY: BRASS, ALBALOY PLATED
- 1.2 CENTER CONTACT: BRASS, GOLD PLATED
- 1.3 UNLOCK SLEEVE: BRASS, ALBALOY PLATED
- 1.4 INSULATOR: PTFE
- 1.5 O-RING: MVQ(SILICONE RUBBER)

2.0 ENVIRONMENTAL DATA:

- 2.1 TEMPERATURE RANGE: -55°C~+125°C
- 2.2 2011/65/EU (RoHS): COMPLIANT

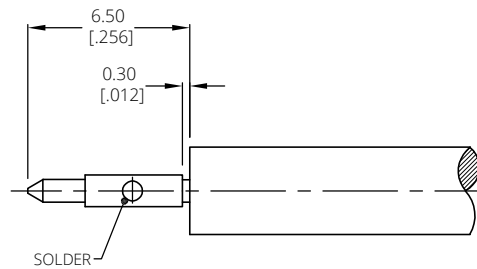
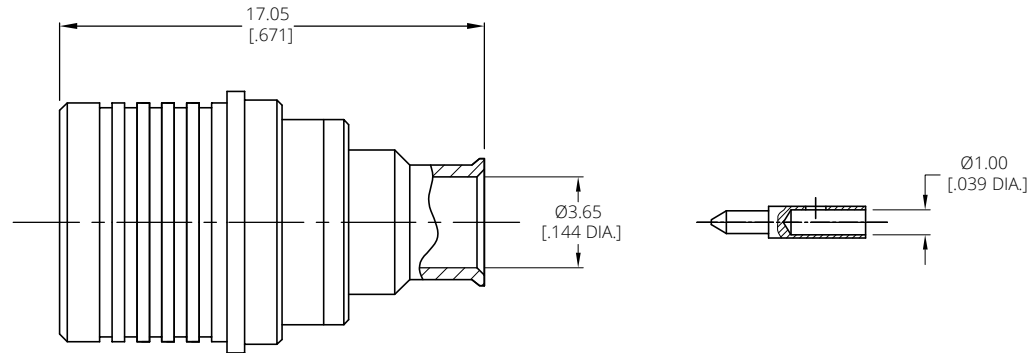
3.0 ELECTRICAL DATA:

- 3.1 IMPEDANCE: 50 Ω
- 3.2 FREQUENCY RANGE: DC~18 GHz
- 3.3 VSWR: 1.25 MAX. @N DC~6GHz

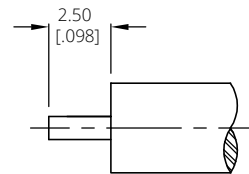
4.0 MECHANICAL DATA:

- 4.1 IP RATING: IP68 (INTERFACE MATED)

REVISIONS			
REV.	DESCRIPTION	DATE	APPROVED
A	INITIAL RELEASE	08/18/22	J. Q



CABLE ASSEMBLY DIMENSIONS



CABLE STRIPPING DIMENSIONS

DRAWN	L. Y	DATE	08/18/22
CHECKED	W. Y	DATE	08/18/22
APPROVED	J. Q	DATE	08/18/22

UNLESS OTHERWISE SPECIFIED DIMENSIONS ARE IN MILLIMETERS, DIMENSIONS IN [] ARE IN INCHES FOR CUSTOMER REFERENCE ONLY UNLESS OTHERWISE SPECIFIED TOLERANCE ARE:

XX	±0.13 [005"]
X	±0.20 [008"]
X	±0.50 [019"]
X*	±1*
X*	±2*

THESE DRAWINGS AND SPECIFICATIONS ARE THE PROPERTY OF ANOISON ELECTRONICS LTD AND SHOULD NOT BE USED WITHOUT WRITTEN PERMISSION. COPYRIGHT © 2022 ANOISON ELECTRONICS LTD



TITLE			
QMA STRAIGHT MALE SOLDER FOR .141 CABLE			
VIEW		PART NO.	
		ANO 2611-2126	

SIZE	SCALE	SHEET	REV.
A3	5:1	1/1	A

4

3

2

1