

MATERIAL & FINISH:

- 1 BODY: BRASS, ALBALOY PLATED
- 2 CENTER CONTACT: BRASS, GOLD PLATED
- 3 INSULATOR: PTFE
- 4 UNLOCK SEEVE: BRASS, ALBALOY PLATED
- 5 O-RING: MVQ(SILICONE RUBBER)

MECHANICAL DATA:

- 1 DURABILITY: 500 CYCLES MIN.

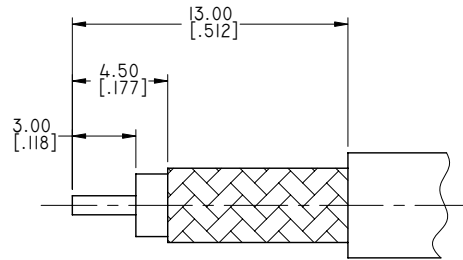
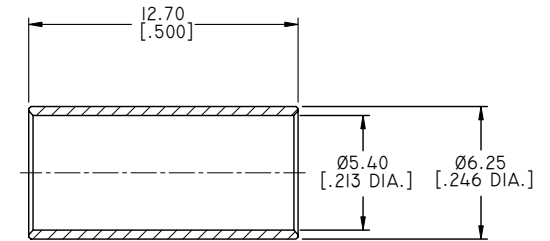
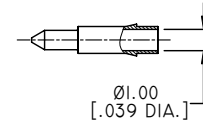
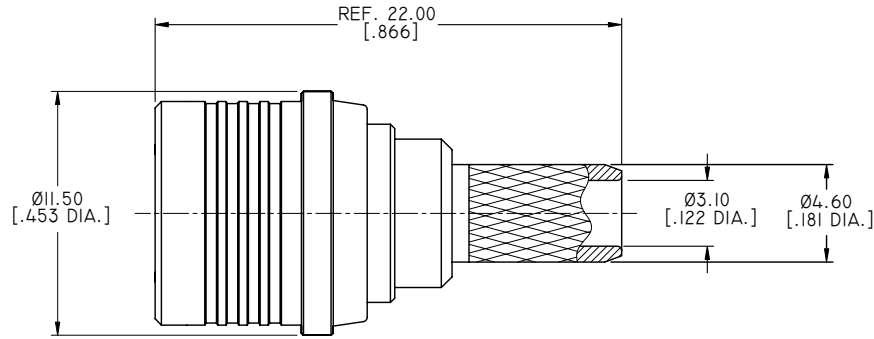
ENVIRONMENTAL DATA:

- 1 TEMPERATURE RANGE: -55°C~+125°C
- 2 2011/65/EU (RoHS): COMPLIANT

ELECTRICAL DATA:

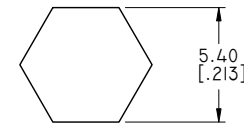
- 1 IMPEDANCE: 50 Ω
- 2 FREQUENCY RANGE: DC~6 GHz
- 3 VSWR: 1.25 MAX.

REVISIONS			
REV.	DESCRIPTION	DATE	APPROVED
D	PART NO. CHANGED	08/07/13	J. QU
E	CABLE STRIPPING DIMENSIONS CHANGED	03/19/15	J. QU
F	DURABILITY: 500 CYCLES MIN. ADDED	06/03/16	J. QU



CABLE STRIPPING DIMENSIONS

HEX.CRIMP TOOL



CRIMP WIDTH: 10.0 [.394]

DRAWN	X. B. YANG	DATE	06/03/16
CHECKED	L. YANG	DATE	06/03/16
APPROVED	J. QU	DATE	06/03/16
UNLESS OTHERWISE SPECIFIED DIMENSIONS ARE IN MILLINETERS. DIMENSIONS IN [ ] ARE IN INCHES FOR CUSTOMER REFERENCE ONLY UNLESS OTHERWISE SPECIFIED TOLERANCE ARE:		THESE DRAWINGS AND SPECIFICATIONS ARE THE PROPERTY OF ANOISON ELECTRONICS LTD AND SHOULD NOT BE USED WITHOUT WRITTEN PERMISSION COPYRIGHT © 2016 ANOISON ELECTRONICS LTD	
.XX	±0.13 [.005"]		
.X	±0.20 [.008"]		
X	±0.50 [.019"]		
.X°	±1°		
X°	±2°		



TITLE			
QMA STRAIGHT MALE CRIMP FOR RG58/LMR195 CABLE			
VIEW		PART NO.	
		ANO 2611-2003	
SIZE	SCALE	SHEET	REV.
A3	4:1	1/1	F