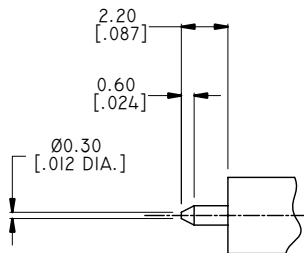
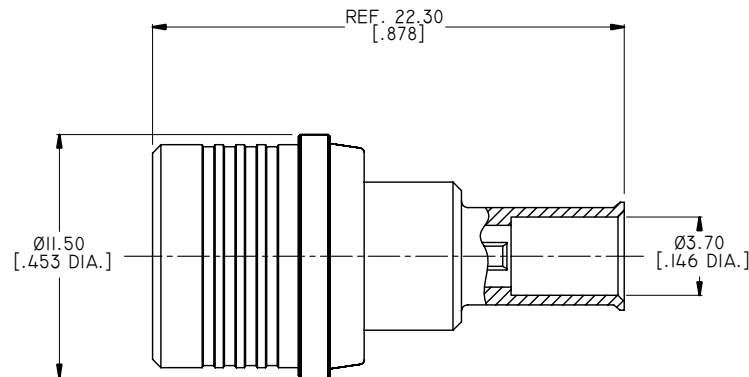


REVISIONS			
REV.	DESCRIPTION	DATE	APPROVED
E	DRAWING FORMAT CHANGED	08/28/17	J. QU
F	LENGTH CHANGED	05/23/18	J. QU

- 1.0 MATERIAL & FINISH:
 1.1 BODY: BRASS, SEE TABLE
 1.2 CENTER CONTACT: BERYLLIUM COPPER ALLOY, GOLD PLATED
 1.3 INSULATOR: PTFE
 1.4 UNLOCK SEEVE: BRASS, ALBALOY PLATED
 1.5 O-RING: MVQ(SILICONE RUBBER)
- 2.0 ENVIRONMENTAL DATA:
 2.1 TEMPERATURE RANGE: -55°C~+125°C
 2.2 2011/65/EU (RoHS): COMPLIANT

- 3.0 ELECTRICAL DATA:
 3.1 IMPEDANCE: 50 Ω
 3.2 FREQUENCY RANGE: DC~18 GHZ

PART NO.	PART	FINISH
ANO 2611-2001	BODY	ALBALOY
ANO 2611-2001-I		GOLD



CABLE STRIPPING DIMENSIONS

DRAWN	L. YANG	DATE	05/23/18
CHECKED	X. B. YANG	DATE	05/23/18
APPROVED	J. QU	DATE	05/23/18
UNLESS OTHERWISE SPECIFIED DIMENSIONS ARE IN MILLIMETERS. DIMENSIONS IN [] ARE IN INCHES FOR CUSTOMER REFERENCE ONLY UNLESS OTHERWISE SPECIFIED TOLERANCE ARE:		THESE DRAWINGS AND SPECIFICATIONS ARE THE PROPERTY OF ANOISON ELECTRONICS LTD AND SHOULD NOT BE USED WITHOUT WRITTEN PERMISSION COPYRIGHT © 2018 ANOISON ELECTRONICS LTD	
.XX	±0.13 [.005"]		
.X	±0.20 [.008"]		
X	±0.50 [.019"]		
.X°	±1°		
X°	±2°		



TITLE			
QMA STRAIGHT MALE SOLDER FOR .141 CABLE CAPTIVATED CONTACT			
VIEW	PART NO.		
	ANO 2611-2001		
SIZE	SCALE	SHEET	REV.
A3	4:1	1/1	F