

MATERIAL & FINISH:

1. BODY: BRASS, NICKEL PLATED
2. CENTER CONTACT: BERYLLIUM COPPER ALLOY, GOLD PLATED
3. INSULATOR: PTFE

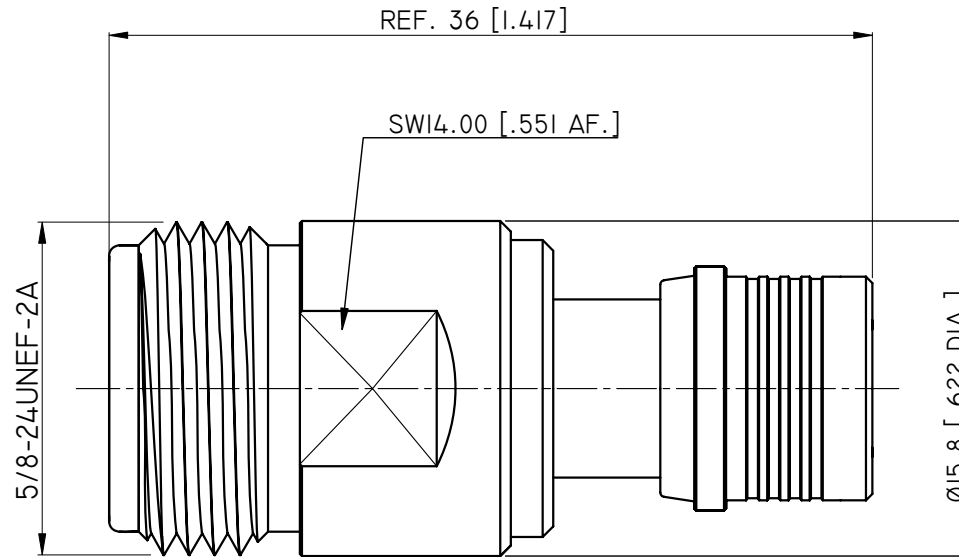
ENVIRONMENTAL DATA:

1. TEMPERATURE RANGE: -55 °C~+125 °C
2. 2002/95/EC (RoHS): COMPLIANT

ELECTRICAL SPECIFICATIONS:

1. IMPEDANCE: 50 Ω
2. FREQUENCY RANGE: DC~18 GHZ
3. VSWR: 1.15 MAX. AT DC~6 GHZ

REVISIONS			
REV.	DESCRIPTION	DATE	APPROVED
B	OUTLINE DRAWING CHANGED	11/08/13	J. QU
C	OUTLINE DRAWING CHANGED	11/13/13	J. QU



DRAWN X. B. YANG	DATE 11/13/13		
CHECKED L. YANG	DATE 11/13/13		
APPROVED J. QU	DATE 11/13/13		
UNLESS OTHERWISE SPECIFIED DIMENSIONS ARE IN MILLIMETERS, DIMENSIONS IN [] ARE IN INCHES FOR CUSTOMER REFERENCE ONLY UNLESS OTHERWISE SPECIFIED TOLERANCE ARE: .XX ±0.13 [.005"] .X ±0.20 [.008"] X ±0.50 [.019"] .X° ±1° X° ±2°		THESE DRAWINGS AND SPECIFICATIONS ARE THE PROPERTY OF ANOISON ELECTRONICS LTD AND SHOULD NOT BE USED WITHOUT WRITTEN PERMISSION COPYRIGHT © 2013 ANOISON	
TITLE ADAPTER, QMA MALE TO N FEMALE		VIEW 	PART NO. ANO 261-512-1035
SIZE A3	SCALE 4:1	SHEET 1/1	REV. C