

4

3

2

1

REVISIONS

REV.	DESCRIPTION	DATE	APPROVED
A	INITIAL RELEASE	03/08/19	J. QU

1.0 MATERIAL & FINISH:

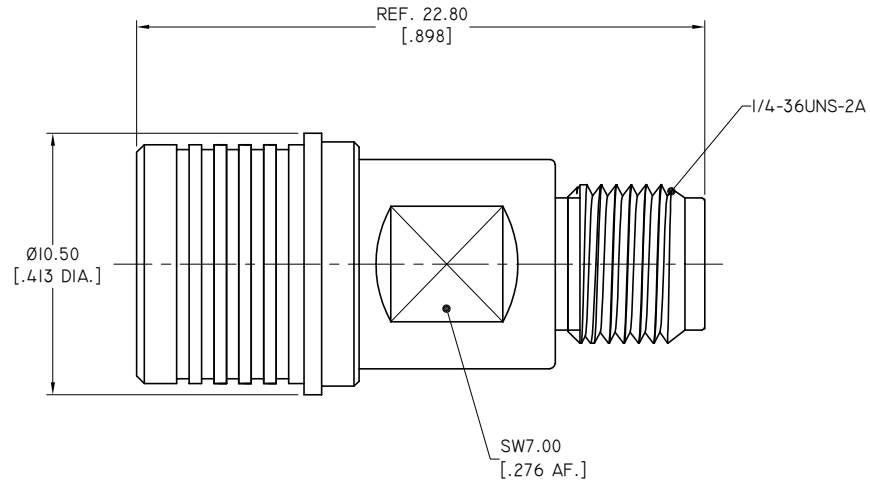
- 1.1 BODY: BRASS, ALBALOY PLATED
- 1.2 CENTER CONTACT: BERYLLIUM COPPER ALLOY, GOLD PLATED
- 1.3 INSULATOR: PTFE & PEI

2.0 ENVIRONMENTAL DATA:

- 2.1 TEMPERATURE RANGE: -55°C~+125°C
- 2.2 2011/65/EU (RoHS): COMPLIANT
- 2.3 1999/45/EC(REACH): COMPLIANT
- 2.4 MATING LIFE CHANGED: 500 CYCLES MIN.

3.0 ELECTRICAL SPECIFICATIONS:

- 3.1 IMPEDANCE: 50 Ω
- 3.2 FREQUENCY RANGE: DC~18GHZ
- 3.3 VSWR: 1.18 MAX. AT DC~6GHZ
1.30 MAX. 6~18GHZ



DRAWN	W. YANG	DATE	03/08/19
CHECKED	X. B. YANG	DATE	03/08/19
APPROVED	J. QU	DATE	03/08/19
UNLESS OTHERWISE SPECIFIED DIMENSIONS ARE IN MILLIMETERS, DIMENSIONS IN [] ARE IN INCHES FOR CUSTOMER REFERENCE ONLY UNLESS OTHERWISE SPECIFIED TOLERANCE ARE:		THESE DRAWINGS AND SPECIFICATIONS ARE THE PROPERTY OF ANOISON ELECTRONICS LTD AND SHOULD NOT BE USED WITHOUT WRITTEN PERMISSION COPYRIGHT © 2019 ANOISON ELECTRONICS LTD	
.XX	±0.13 [.005"]		
.X	±0.20 [.008"]		
X	±0.50 [.019"]		
X°	±1°		
X"	±2°		



TITLE			
ADAPTER, QMA MALE TO SMA FEMALE			
VIEW	PART NO.		
	ANO 261-212-1482		
SIZE	SCALE	SHEET	REV.
A3	5:1	1/1	A

4

3

2

1