

4

3

2

1

MATERIAL & FINISH:

- 1 BODY: STAINLESS STEEL, PASSIVATED
- 2 CENTER CONTACT: BERYLLIUM COPPER ALLOY, GOLD PLATED
- 3 FASTENING NUT: STAINLESS STEEL, PASSIVATED
- 4 LOCK WASHER: PHOSPHOR BRONZE, NICKEL PLATED
- 5 INSULATOR 1: PEI
- 6 INSULATOR 2: GLASS
- 7 O-RING: BLACK SILICONE RUBBER

ELECTRICAL DATA:

- 1 IMPEDANCE: 50 Ω
- 2 FREQUENCY RANGE: DC-33 GHz
- 3 VSWR: 1.15 MAX. AT DC-20 GHz
1.20 MAX. AT 20-26 GHz
1.25 MAX. AT 26-33 GHz
- 4 INSERTION: 0.15 √F(GHZ) MAX.

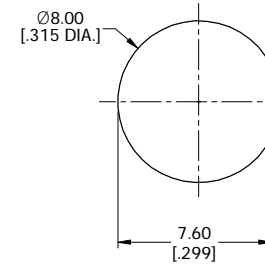
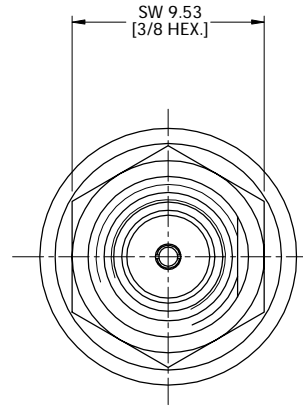
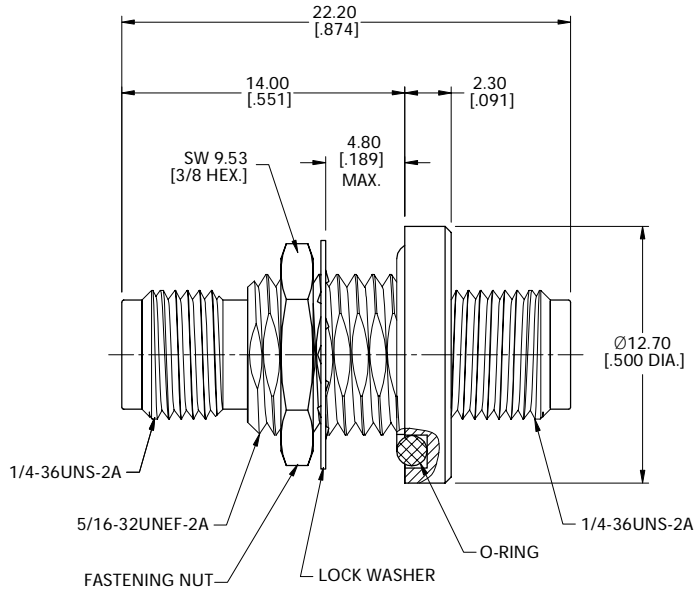
ENVIRONMENTAL DATA:

- 1 TEMPERATURE RANGE: -55°C--+125°C
- 2 2011/65/EU(RoHS) AND 2015/863/(RoHS): COMPLIANT
- 3 1907/2006/EC(REACH): COMPLIANT

MECHANICAL DATA:

- 1 HERMETICITY: 1X10⁻⁸ CC/SEC AT ONT ATMOSPHERE
- 2 WEATHERPROOF: 30 PSI MAX.
- 3 RECOMMENDED MATING TORQUE: 7 TO 10 IN-LBS

REVISIONS			
REV.	DESCRIPTION	DATE	APPROVED
A	INITIAL RELEASE	09/12/24	J. Q



RECOMMENDED MOUNTING HOLE

DRAWN	X. Y	DATE	09/12/24
CHECKED	W. Y	DATE	09/12/24
APPROVED	J. Q	DATE	09/12/24
UNLESS OTHERWISE SPECIFIED DIMENSIONS ARE IN MILLIMETERS, DIMENSIONS IN [] ARE IN INCHES FOR CUSTOMER REFERENCE ONLY UNLESS OTHERWISE SPECIFIED TOLERANCE ARE:		THESE DRAWINGS AND SPECIFICATIONS ARE THE PROPERTY OF ANOISON ELECTRONICS LTD AND SHOULD NOT BE USED WITHOUT WRITTEN PERMISSION COPYRIGHT © 2024 ANOISON ELECTRONICS LTD	
XX	±0.13 [005"]		
X	±0.20 [008"]		
X	±0.50 [019"]		
X°	±1°		
X"	±2°		

TITLE ADAPTER, 3.5MM BULKHEAD WATERPROOF FEMALE TO 3.5 FEMALE, HERMETIC SEAL			
VIEW	PART NO. ANO 252-252-1668		
	SIZE A3	SCALE 4:1	SHEET 1/1
			REV. A

4

3

2

1