

MATERIAL & FINISH:

- 1 BODY: STAINLESS STEEL, PASSIVATED
- 2 CENTER CONTACT: BERYLLIUM COPPER ALLOY, GOLD PLATED
- 3 SOLDER FERRULE: BRASS, GOLD PLATED
- 4 COUPLING NUT: STAINLESS STEEL, PASSIVATED
- 5 INSULATOR: PEI

ELECTRICAL DATA:

- 1 IMPEDANCE: 50 Ω
- 2 FREQUENCY RANGE: DC~20 GHZ

ENVIRONMENTAL DATA:

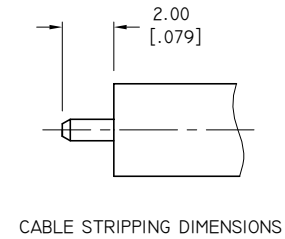
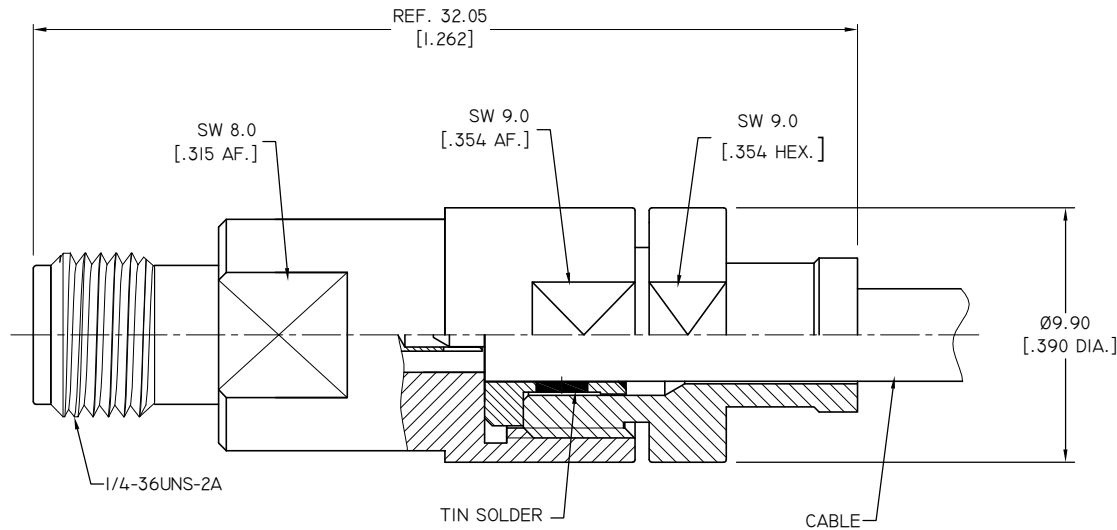
- 1 TEMPERATURE RANGE: -55 °C~+125 °C
- 2 2011/65/EU(RoHS) AND 2015/863/(RoHS): COMPLIANT
- 3 1907/2006/EC(REACH): COMPLIANT

MECHANICAL DATA:

- 1 MECHANICAL DURABILITY: 500 CYCLES MIN.
- 2 CENTER CONTACT: CAPTIVATED
- 3 OUTER CONTACT: SOLDERED

REVISIONS

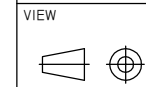
| REV. | DESCRIPTION | DATE | APPROVED |
|------|--|----------|----------|
| A | INITIAL RELEASE | 07/14/17 | J. QU |
| B | SW 8.5 [.335 AF.] CHANGED TO SW 8.0 [.315 AF.] | 11/13/17 | J. QU |
| C | OUTLINE DRAWING CHANGED | 03/19/20 | J. QU |



| | | | |
|---|---------------|--|----------|
| DRAWN | X. B. YANG | DATE | 03/19/20 |
| CHECKED | W. YANG | DATE | 03/19/20 |
| APPROVED | J. QU | DATE | 03/19/20 |
| UNLESS OTHERWISE SPECIFIED DIMENSIONS ARE IN MILLIMETERS, DIMENSIONS IN [] ARE IN INCHES FOR CUSTOMER REFERENCE ONLY UNLESS OTHERWISE SPECIFIED TOLERANCE ARE: | | THESE DRAWINGS AND SPECIFICATIONS ARE THE PROPERTY OF ANOISON ELECTRONICS LTD AND SHOULD NOT BE USED WITHOUT WRITTEN PERMISSION COPYRIGHT © 2020 ANOISON ELECTRONICS LTD | |
| .XX | ±0.13 [.005"] | | |
| .X | ±0.20 [.008"] | | |
| X | ±0.50 [.019"] | | |
| .X° | ±1° | | |
| X° | ±2° | | |



TITLE
3.5MM STRAIGHT FEMALE SOLDER
FOR .141 CABLE, CAPTIVATED CONTACT



| | | | |
|---------------------------|--------------|--------------|-----------|
| PART NO. ANO 2512-2023 | | | |
| SIZE A3 | SCALE 5:1 | SHEET 1/1 | REV. C |