

REVISIONS			
REV.	DESCRIPTION	DATE	APPROVED
A	INITIAL RELEASE	01/12/21	J QU

MATERIAL & FINISH:

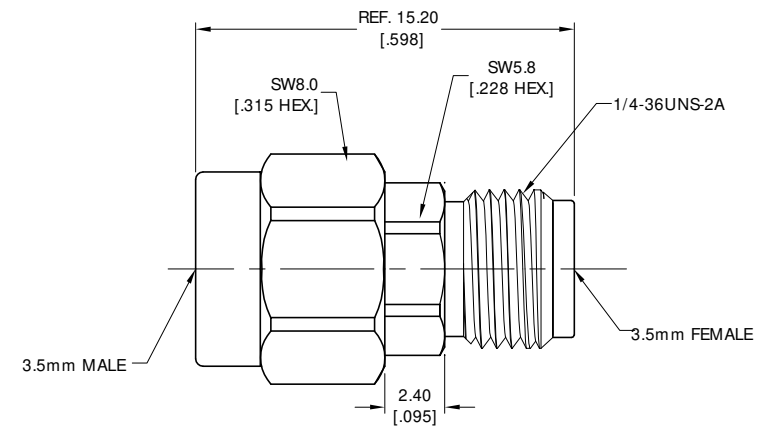
- 1 BODY: STAINLESS STEEL, PASSIVATED
- 2 CENTER CONTACT: PHOSPHOR BTONZE, GOLD PLATED
- 3 INSULATOR: PTFE

ENVIRONMENTAL DATA:

- 1 TEMPERATURE RANGE: -55°C~+125°C
- 2 2011/65/EU (RoHS) AND 2015/863/(RoHS): COMPLIANT
- 3 1907/2006/EC(REACH) AND 1999/45/EC(REACH): COMPLIANT

ELECTRICAL DATA:

- 1 IMPEDANCE: 50 Ω
- 2 FREQUENCY RANGE: DC~34 GHz
- 3 VSWR: 1.25 MAX.
- 4 AVERAGE POWER: MAXIMUM POWER 2 WATTS AVERAGE TO 25°C AMBIENT TEMPERATURE, DERATED LINEARLY TO 0.5W @ 125°C
- 5 PEAK POWER: MAXIMUM POWER 200 W (5μS PULSE WIDTH WITH THE MAXIMUM 1% DUTY CYCLE)
- 6 ATTENUATOR ACCURACY: SEE TABLE



PART NO.	ATTENUATION VALUES & ACCURACY			
	1dB ~ 3 dB	4 dB ~ 8 dB	9 dB ~ 25 dB	26 ~ 40 dB
ANO 25-0202-XX	+0.7 -0.5 dB	+0.8 -0.7 dB	±0.7 dB	±0.8 dB

NOTE: XX REFER TO ATTENUATION VALUE IN dB

DRAWN	W. YANG	DATE	01/12/21
CHECKED	X. B. YANG	DATE	01/12/21
APPROVED	J QU	DATE	01/12/21
UNLESS OTHERWISE SPECIFIED DIMENSIONS ARE IN MILLIMETERS, DIMENSIONS IN [] ARE IN INCHES FOR CUSTOMER REFERENCE ONLY UNLESS OTHERWISE SPECIFIED TOLERANCE ARE:		THESE DRAWINGS AND SPECIFICATIONS ARE THE PROPERTY OF ANOISON ELECTRONICS LTD AND SHOULD NOT BE USED WITHOUT WRITTEN PERMISSION COPYRIGHT © 2021 ANOISON ELECTRONICS LTD	
XX	±0.13 [0.005"]		
.X	±0.20 [0.008"]		
X	±0.50 [0.019"]		
.X°	±1°		
X°	±2°		

TITLE
ATTENUATOR 3.5MM MALE TO 3.5MM FEMALE 2 WATT, DC-34GHz

VIEW

PART NO. ANO 25-0202-XX			
SIZE A3	SCALE 5:1	SHEET 1/1	REV. A