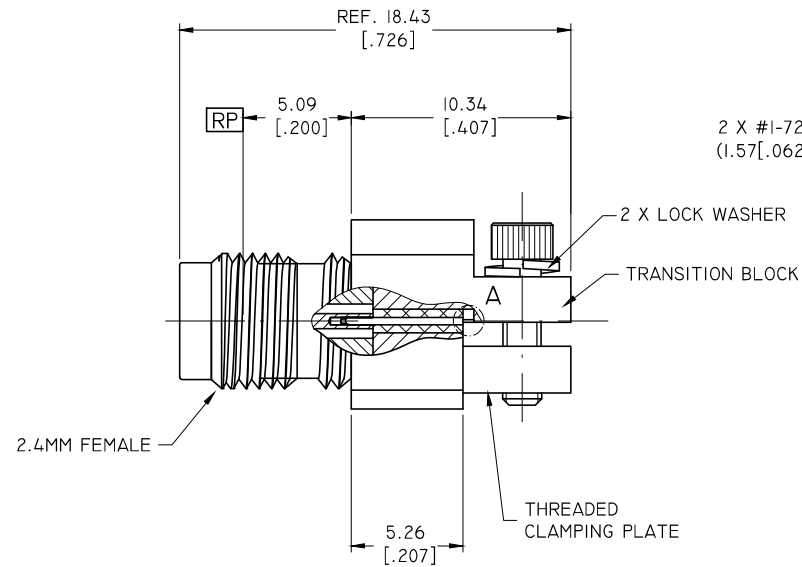
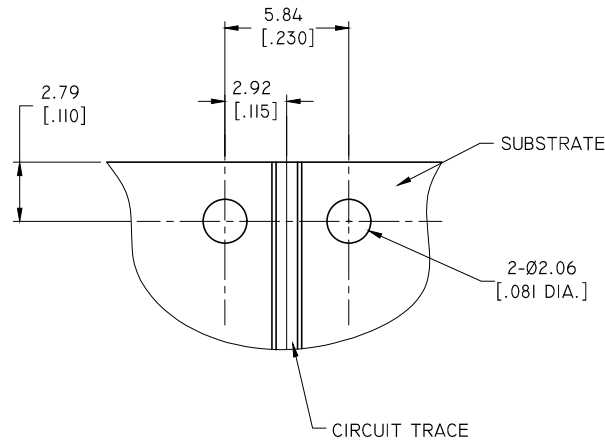
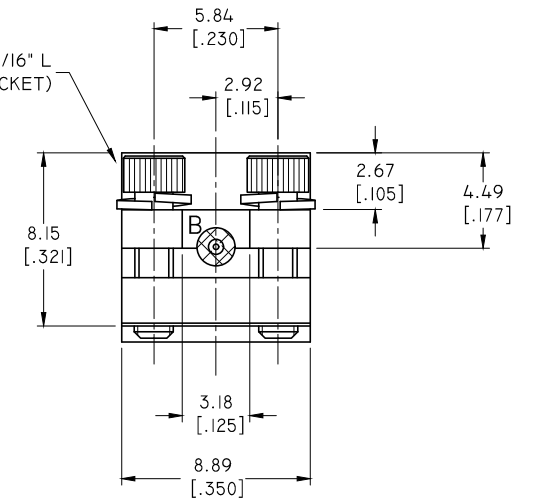


REVISIONS			
REV.	DESCRIPTION	DATE	APPROVED
A	INITIAL RELEASE	11/21/19	J. QU



2 X #1-72 SHCS X 5/16" L
(1.57[.062] HEX. SOCKET)



2.4MM CONNECTOR

1. BODY: STAINLESS STEEL, PASSIVATED
2. CENTER CONTACT: BERYLLIUM COPPER ALLOY, GOLD PLATED
3. INSULATOR: PEI

TRANSITION BLOCK

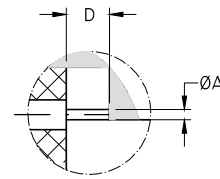
1. TRANSITION BLOCK: BRASS, NICKEL PLATED
2. THREADED CLAMPING PLATE: BRASS, NICKEL PLATED
3. LAUNCH PIN: BERYLLIUM COPPER ALLOY, GOLD PLATED
4. TRANSITION BLOCK DIELECTRIC: PTFE

ENVIRONMENTAL DATA:

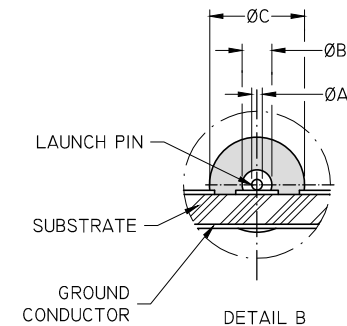
1. TEMPERATURE RANGE: -55°C~+125°C
2. 2011/65/EU (RoHS): COMPLIANT

ELECTRICAL SPECIFICATIONS:

1. IMPEDANCE: 50 Ω
2. FREQUENCY RANGE: DC~50 GHz



DETAIL A



DETAIL B

PART NO.	Ø A	Ø B	Ø C	D
ANO 222-BI	0.13 [0.005]	0.23 [0.009]	0.75 [0.0295]	0.76 [0.030]

DRAWN	W. YANG	DATE	11/21/19
CHECKED	X. B. YANG	DATE	11/21/19
APPROVED	J. QU	DATE	11/21/19
UNLESS OTHERWISE SPECIFIED DIMENSIONS ARE IN MILLIMETERS. DIMENSIONS IN [] ARE IN INCHES FOR CUSTOMER REFERENCE ONLY UNLESS OTHERWISE SPECIFIED TOLERANCE ARE:		THESE DRAWINGS AND SPECIFICATIONS ARE THE PROPERTY OF ANOISON ELECTRONICS LTD AND SHOULD NOT BE USED WITHOUT WRITTEN PERMISSION COPYRIGHT © 2019 ANOISON ELECTRONICS LTD	
.XX	±0.13 [0.005"]		
.X	±0.20 [0.008"]		
X	±0.50 [0.019"]		
.X°	±1°		
X°	±2°		



TITLE			
2.4MM FEMALE END LAUNCH CONNECTOR SUPER SMALL END LAUNCH			
VIEW		PART NO.	
		ANO 222-BI	
SIZE	SCALE	SHEET	REV.
A3	4:1	1/1	A