

4

3

2

1

MATERIAL & FINISH:

- 1. BODY: STAINLESS STEEL, PASSIVATED
- 2. CENTER CONTACT: BERYLLIUM COPPER ALLOY, GOLD PLATED
- 3. INSULATOR: PEI
- 4. SCREW: STEEL, PASSIVATED

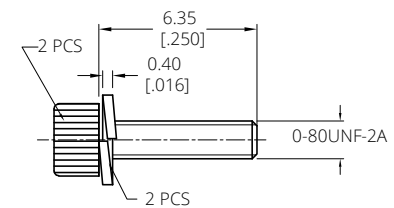
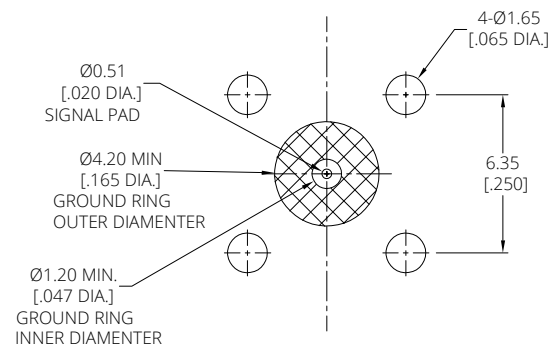
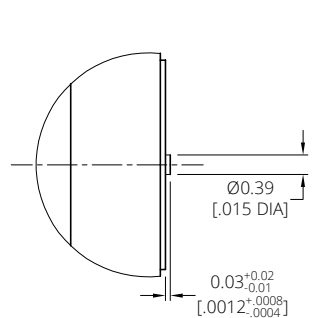
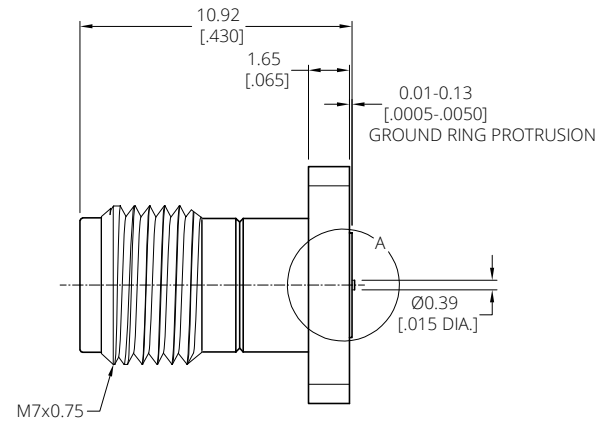
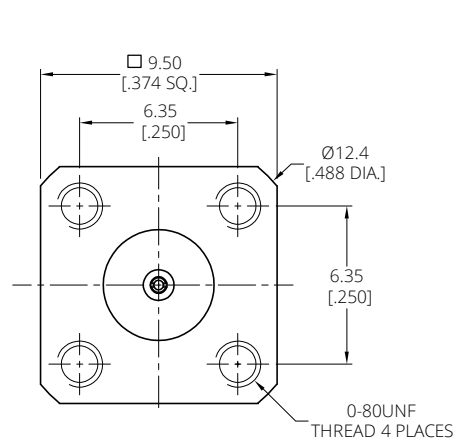
ELECTRICAL DATA:

- 1. IMPEDANCE: 50 OHMS
- 2. FREQUENCY RANGE: DC-50 GHz
- 3. VSWR: 1.35 MAX.

ENVIRONMENTAL DATA:

- 1. TEMPERATURE RANGE: -40°C--+125°C
- 2. 2011/65/EU(RoHS) AND 2015/863/(RoHS): COMPLIANT
- 3. 1999/45/EC(REACH): COMPLIANT

REVISIONS			
REV.	DESCRIPTION	DATE	APPROVED
A	INITIAL RELEASE	12/25/24	J. Q



DRAWN	W. Y	DATE	12/25/24
CHECKED	X. Y	DATE	12/25/24
APPROVED	J. Q	DATE	12/25/24
UNLESS OTHERWISE SPECIFIED DIMENSIONS ARE IN MILLIMETERS, DIMENSIONS IN [] ARE IN INCHES FOR CUSTOMER REFERENCE ONLY UNLESS OTHERWISE SPECIFIED TOLERANCE ARE:		THESE DRAWINGS AND SPECIFICATIONS ARE THE PROPERTY OF ANOISON ELECTRONICS LTD AND SHOULD NOT BE USED WITHOUT WRITTEN PERMISSION COPYRIGHT © 2024 ANOISON ELECTRONICS LTD	
XX	±0.13 [005"]		
X	±0.20 [008"]		
X	±0.50 [019"]		
X*	±1°		
X*	±2°		

ANOISON

TITLE
2.4MM FEMALE VERTICAL LAUNCH STRIPLINE,
4 HOLE FLANGE, COMPRESSION MOUNT

VIEW

PART NO.
ANO 2212-3076

SIZE A3	SCALE 5:1	SHEET 1/1	REV. A
-------------------	---------------------	---------------------	------------------

4

3

2

1