

4

3

2

1

MATERIAL & FINISH:

- 1 BODY: STAINLESS STEEL, PASSIVATED
- 2 CENTER CONTACT: BERYLLIUM COPPER ALLOY, GOLD PLATED
- 3 INSULATOR: PEI
- 4 SPRING WASHER: STAINLESS STEEL
- 5 SCREW: STEEL

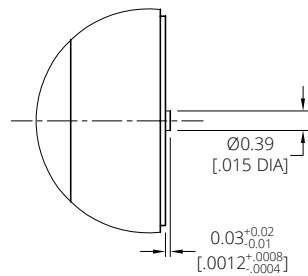
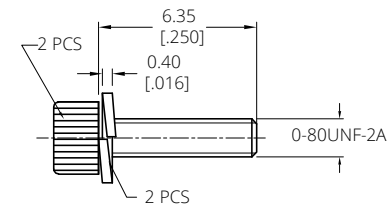
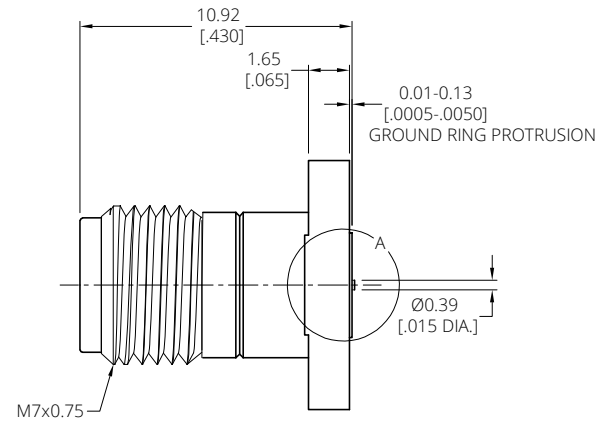
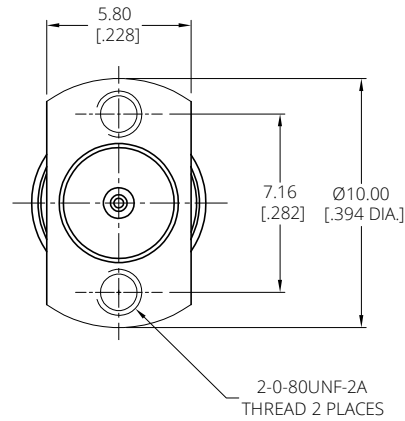
ELECTRICAL DATA:

- 1. IMPEDANCE: 50 OHMS
- 2. FREQUENCY RANGE: DC~50 GHz
- 3. VSWR: 1.35 MAX.

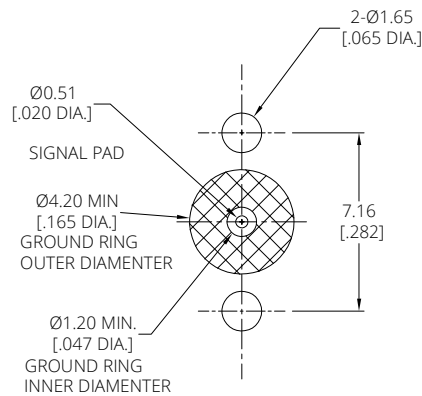
ENVIRONMENTAL DATA:

- 1. TEMPERATURE RANGE: -40°C~+125°C
- 2. 2011/65/EU(RoHS) AND 2015/863/(RoHS): COMPLIANT
- 3. 1999/45/EC(REACH): COMPLIANT

REVISIONS			
REV.	DESCRIPTION	DATE	APPROVED
A	INITIAL RELEASE	10/12/24	J. Q



DETAIL A



PCB LAYOUT RECOMMENDATIONS

DRAWN	W. Y	DATE	10/12/24
CHECKED	X. Y	DATE	10/12/24
APPROVED	J. Q	DATE	10/12/24
UNLESS OTHERWISE SPECIFIED DIMENSIONS ARE IN MILLIMETERS, DIMENSIONS IN [] ARE IN INCHES FOR CUSTOMER REFERENCE ONLY UNLESS OTHERWISE SPECIFIED TOLERANCE ARE:		THESE DRAWINGS AND SPECIFICATIONS ARE THE PROPERTY OF ANOISON ELECTRONICS LTD AND SHOULD NOT BE USED WITHOUT WRITTEN PERMISSION COPYRIGHT © 2024 ANOISON ELECTRONICS LTD	
XX	±0.13 [0.005"]		
X	±0.20 [0.008"]		
X	±0.50 [0.019"]		
X*	±1*		
X*	±2*		

TITLE
2.4MM FEMALE VERTICAL LAUNCH STRIPLINE,
2 HOLE FLANGE, COMPRESSION MOUNT

VIEW

PART NO.
ANO 2212-3075

SIZE A3	SCALE 5:1	SHEET 1/1	REV. A
-------------------	---------------------	---------------------	------------------

D

D

C

C

B

B

A

A

4

3

2

1