

**1.0 MATERIAL & FINISH:**

- 1.1 BODY: STAINLESS STEEL, PASSIVATED
- 1.2 CENTER CONTACT: BERYLLIUM COPPER ALLOY, GOLD PLATED
- 1.3 INSULATOR: PEI

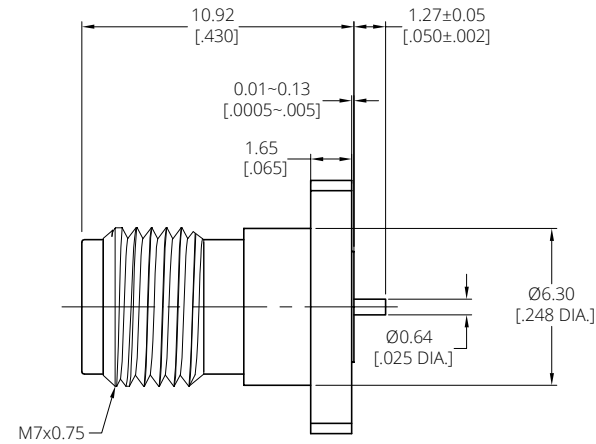
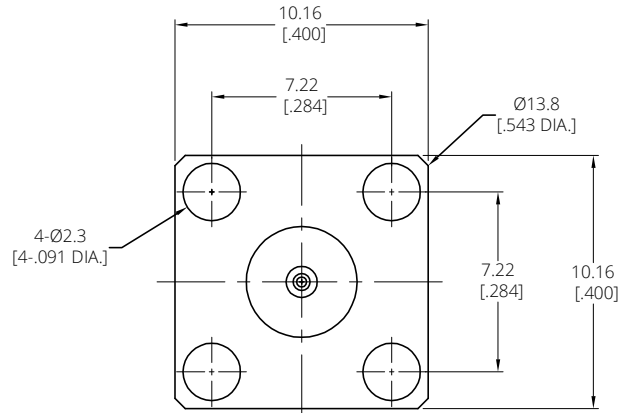
**2.0 ENVIRONMENTAL DATA:**

- 2.1 TEMPERATURE RANGE: -55°C~+125°C
- 2.2 2011/65/EU (RoHS): COMPLIANT

**3.0 ELECTRICAL DATA:**

- 3.1 IMPEDANCE: 50 Ω
- 3.2 FREQUENCY RANGE: DC~50 GHz
- 3.3 VSWR: 1.15 MAX. AT DC~50 GHz
- 3.4 INSERTION LOSS: 0.5 DB MAX.
- 3.5 RF LEAKAGE: ≤-100 DB

REVISIONS			
REV.	DESCRIPTION	DATE	APPROVED
A	INITIAL RELEASE	02/24/21	J. QU
B	CHANGED CENTER DISTANCE	03/02/21	J. QU



DRAWN	L. YANG	DATE	03/02/21
CHECKED	W. YANG	DATE	03/02/21
APPROVED	J. QU	DATE	03/02/21
UNLESS OTHERWISE SPECIFIED DIMENSIONS ARE IN MILLIMETERS, DIMENSIONS IN [ ] ARE IN INCHES FOR CUSTOMER REFERENCE ONLY UNLESS OTHERWISE SPECIFIED TOLERANCE ARE:		THESE DRAWINGS AND SPECIFICATIONS ARE THE PROPERTY OF ANOISON ELECTRONICS LTD AND SHOULD NOT BE USED WITHOUT WRITTEN PERMISSION COPYRIGHT © 2021 ANOISON ELECTRONICS LTD	
.XX	±0.13 [0.005"]		
.X	±0.20 [0.008"]		
X	±0.50 [0.019"]		
.X°	±1°		
.X°	±2°		



TITLE			
2.4MM FEMALE, 4 HOLE FLANGE MOUNT POST CONTACT			
VIEW		PART NO.	
		ANO 2212-3049	
SIZE	SCALE	SHEET	REV.
A3	5:1	1/1	B