

4 3 2 1

1.0 MATERIAL & FINISH:

- 1.1 BODY: STAINLESS STEEL, PASSIVATED
- 1.2 CENTER CONTACT: BERYLLIUM COPPER ALLOY, GOLD PLATED
- 1.3 INSULATOR: PEI

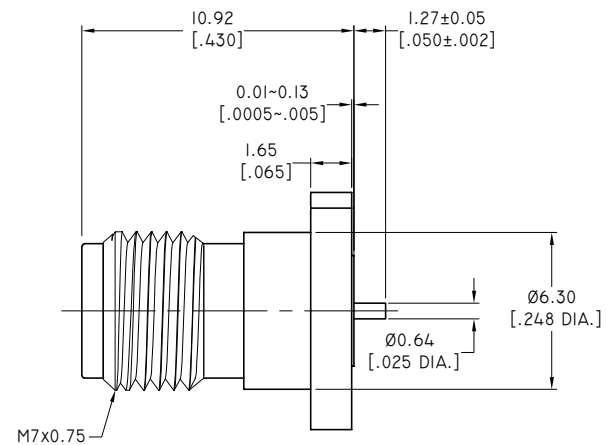
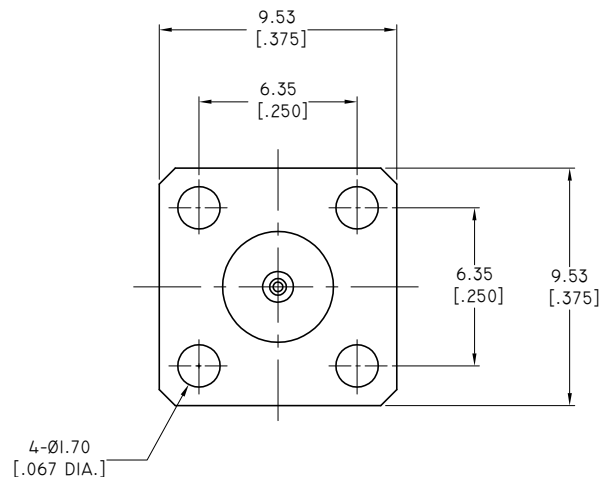
2.0 ENVIRONMENTAL DATA:

- 2.1 TEMPERATURE RANGE: -55°C~+125°C
- 2.2 2011/65/EU (RoHS): COMPLIANT

3.0 ELECTRICAL DATA:

- 3.1 IMPEDANCE: 50 Ω
- 3.2 FREQUENCY RANGE: DC~50 GHZ
- 3.3 VSWR: 1.15 MAX. AT DC~50 GHZ
- 3.4 INSERTION LOSS: 0.5 DB MAX.
- 3.5 RF LEAKAGE: ≤-100 DB

REVISIONS			
REV.	DESCRIPTION	DATE	APPROVED
A	INITIAL RELEASE	11/12/20	J. QU
B	1.27±0.05 WAS 1.27	11/16/20	J. QU



DRAWN	W. YANG	DATE	11/12/20
CHECKED	X. B. YANG	DATE	11/12/20
APPROVED	J. QU	DATE	11/12/20
UNLESS OTHERWISE SPECIFIED DIMENSIONS ARE IN MILLIMETERS, DIMENSIONS IN [] ARE IN INCHES FOR CUSTOMER REFERENCE ONLY UNLESS OTHERWISE SPECIFIED TOLERANCE ARE:		THESE DRAWINGS AND SPECIFICATIONS ARE THE PROPERTY OF ANOISON ELECTRONICS LTD AND SHOULD NOT BE USED WITHOUT WRITTEN PERMISSION COPYRIGHT © 2020 ANOISON ELECTRONICS LTD	
.XX	±0.08 [.003"]		
.X	±0.20 [.008"]		
X	±0.50 [.019"]		
X*	±1°		
X**	±2°		

TITLE
2.4MM FEMALE, 4 HOLE FLANGE MOUNT POST CONTACT

VIEW

PART NO.
ANO 2212-3047

SIZE A3	SCALE 5:1	SHEET 1/1	REV. B
-------------------	---------------------	---------------------	------------------

4 3 2 1