

4

3

2

1

## MATERIAL &amp; FINISH:

- 1 BODY: STAINLESS STEEL, PASSIVATED
- 2 CENTER CONTACT: BERYLLIUM COPPER ALLOY, GOLD PLATED
- 3 INSULATOR: PEI

## ELECTRICAL DATA:

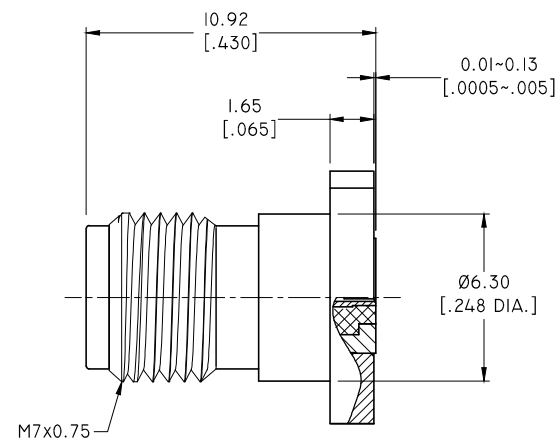
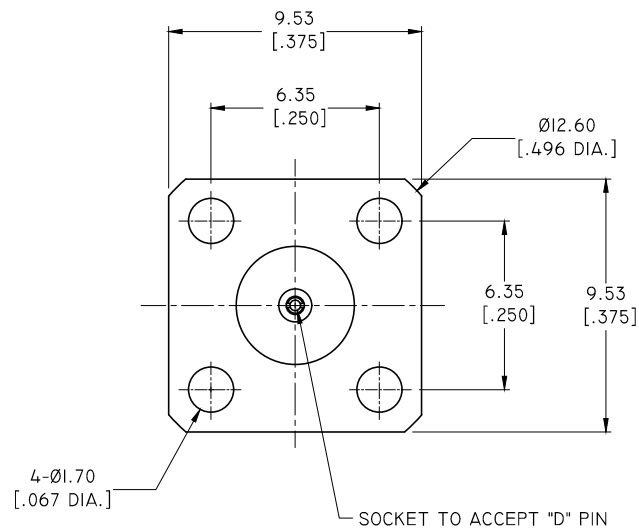
- 1 IMPEDANCE: 50  $\Omega$
- 2 FREQUENCY RANGE: DC~27 GHZ
- 3 VSWR: 1.20 MAX.

## REVISIONS

REV.	DESCRIPTION	DATE	APPROVED
A	INITIAL RELEASE	09/17/19	J. QU

## ENVIRONMENTAL DATA:

- 1 TEMPERATURE RANGE: -55°C~+125°C
- 2 2011/65/EU(RoHS) AND 2015/863/(RoHS): COMPLIANT
- 3 1999/45/EC(REACH): COMPLIANT



PART NO.	D	MAX. PIN DEPTH
ANO 2212-3037-1	$\varnothing 0.23$ [.009 DIA.]	1.65 [.065]
ANO 2212-3037-2	$\varnothing 0.30$ [.012 DIA.]	1.65 [.065]
ANO 2212-3037-3	$\varnothing 0.38$ [.015 DIA.]	1.65 [.065]
ANO 2212-3037-4	$\varnothing 0.51$ [.020 DIA.]	1.65 [.065]

DRAWN	X. B. YANG	DATE	09/17/19
CHECKED	L. YANG	DATE	09/17/19
APPROVED	J. QU	DATE	09/17/19
UNLESS OTHERWISE SPECIFIED DIMENSIONS ARE IN MILLIMETERS. DIMENSIONS IN [ ] ARE IN INCHES FOR CUSTOMER REFERENCE ONLY UNLESS OTHERWISE SPECIFIED TOLERANCE ARE:		THESE DRAWINGS AND SPECIFICATIONS ARE THE PROPERTY OF ANOISON ELECTRONICS LTD AND SHOULD NOT BE USED WITHOUT WRITTEN PERMISSION COPYRIGHT © 2019 ANOISON ELECTRONICS LTD	
.XX	+0.08 [.003"]		
.X	+0.20 [.008"]		
X	+0.50 [.019"]		
.X°	±1°		
X°	±2°		



TITLE  
2.4MM FEMALE, 4 HOLE .375 SQ. FLANGE,  
FIELD REPLACEABLE, PTFE BACK FILLED, 27GHZ

VIEW	PART NO.	SIZE	SCALE	SHEET	REV.
	ANO 2212-3037	A3	5:1	1/1	A