

4 3 2 1

MATERIAL & FINISH:

- 1 BODY: STAINLESS STEEL, PASSIVATEDL
- 2 CENTER CONTACT: BERYLLIUM COPPER ALLOY, GOLD PLATED
- 3 INSULATOR: PEI

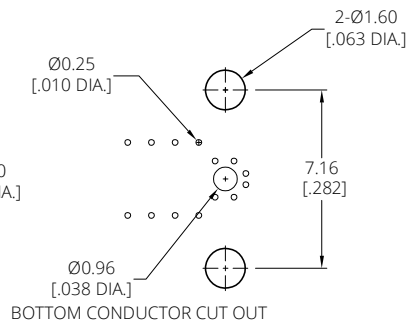
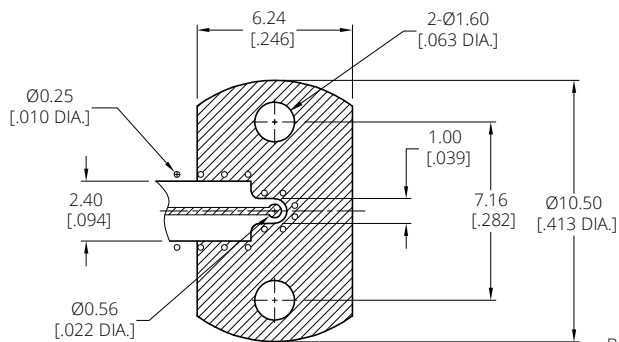
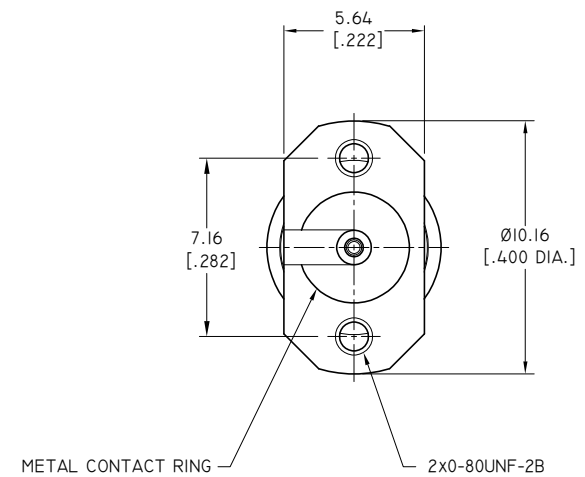
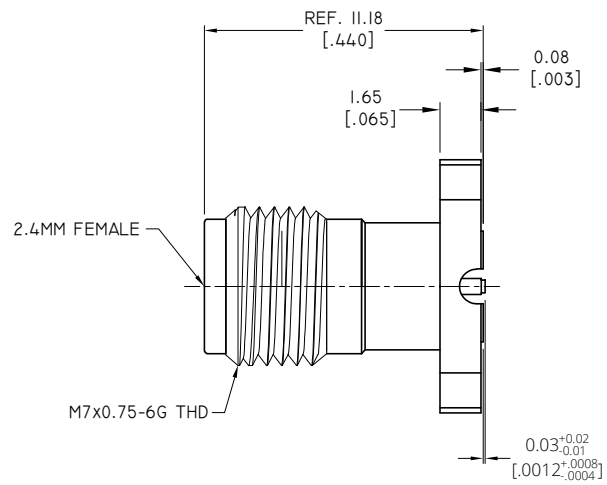
ELECTRICAL DATA:

- 1 IMPEDANCE: 50 Ω
- 2 FREQUENCY RANGE: DC~50 GHZ

REVISIONS			
REV.	DESCRIPTION	DATE	APPROVED
A	INITIAL RELEASE	03/03/17	J. QU

ENVIRONMENTAL DATA:

- 1 TEMPERATURE RANGE: -55°C~+125°C
- 2 2011/65/EU (RoHS): COMPLIANT



DRAWN	W. YANG	DATE	03/03/17
CHECKED	L. YANG	DATE	03/03/17
APPROVED	J. QU	DATE	03/03/17
UNLESS OTHERWISE SPECIFIED DIMENSIONS ARE IN MILLIMETERS, DIMENSIONS IN [] ARE IN INCHES FOR CUSTOMER REFERENCE ONLY UNLESS OTHERWISE SPECIFIED TOLERANCE ARE:		THESE DRAWINGS AND SPECIFICATIONS ARE THE PROPERTY OF ANOISON ELECTRONICS LTD AND SHOULD NOT BE USED WITHOUT WRITTEN PERMISSION COPYRIGHT © 2017 ANOISON ELECTRONICS LTD	
.XX	±0.08 [.003"]		
.X	±0.20 [.008"]		
X	±0.50 [.019"]		
.X°	±1°		
X°	±2°		

TITLE
2.4MM STRAIGHT FEMALE 2 HOLE FLANGE MOUNT W/MOUSE HOLE

PART NO.
ANO 2212-3024

VIEW		SCALE	5:1	SHEET	1/1	REV.	A
-------------	--	--------------	-----	--------------	-----	-------------	---

D
C
B
A

D
C
B
A

4 3 2 1