

4

3

2

1

MATERIAL & FINISH:

- 1 BODY: STAINLESS STEEL, PASSIVATEDL
- 2 CENTER CONTACT: BERYLLIUM COPPER ALLOY, GOLD PLATED
- 3 INSULATOR: PEI

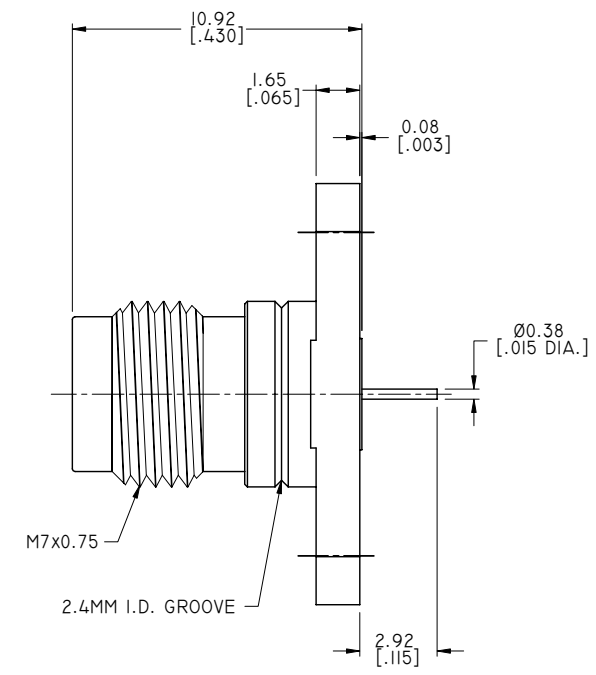
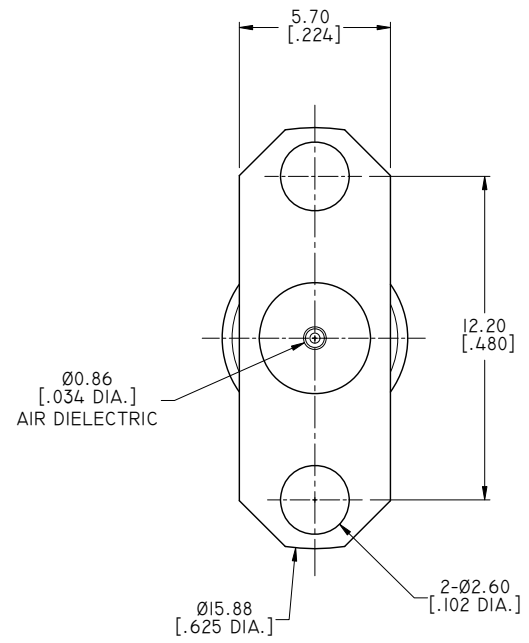
ENVIRONMENTAL DATA:

- 1 TEMPERATURE RANGE: -55°C~+125°C
- 2 2011/65/EU (RoHS): COMPLIANT

ELECTRICAL DATA:

- 1 IMPEDANCE: 50 Ω
- 2 FREQUENCY RANGE: DC-50 GHZ
- 3 VSWR: 1.30 MAX.
- 4 INSERTION LOSS: .05√FGHZ

REVISIONS			
REV.	DESCRIPTION	DATE	APPROVED
A	INITIAL RELEASE	07/04/16	J. QU
B	CHANGE 0.152 TO 0.115, FLANGE TO END OF PIN	07/08/16	J. QU



DRAWN	X. B. YANG	DATE	07/08/16
CHECKED	L. YANG	DATE	07/08/16
APPROVED	J. QU	DATE	07/08/16
UNLESS OTHERWISE SPECIFIED DIMENSIONS ARE IN MILLIMETERS, DIMENSIONS IN [] ARE IN INCHES FOR CUSTOMER REFERENCE ONLY UNLESS OTHERWISE SPECIFIED TOLERANCE ARE:		THESE DRAWINGS AND SPECIFICATIONS ARE THE PROPERTY OF ANOISON ELECTRONICS LTD AND SHOULD NOT BE USED WITHOUT WRITTEN PERMISSION COPYRIGHT © 2016 ANOISON ELECTRONICS LTD	
.XX	±0.08 [.003"]		
.X	±0.20 [.008"]		
X	±0.50 [.019"]		
.X°	±1°		
X°	±2°		



TITLE			
2.4MM FEMALE, 2 HOLE FLANGE MOUNT POST CONTACT			
VIEW		PART NO.	
		ANO 2212-3015	
SIZE	SCALE	SHEET	REV.
A3	5:1	1/1	B

4

3

2

1