

MATERIAL & FINISH:

- 1 BODY: STAINLESS STEEL, PASSIVATEDL
- 2 CENTER CONTACT: BERYLLIUM COPPER ALLOY, GOLD PLATED
- 3 INSULATOR: PEI

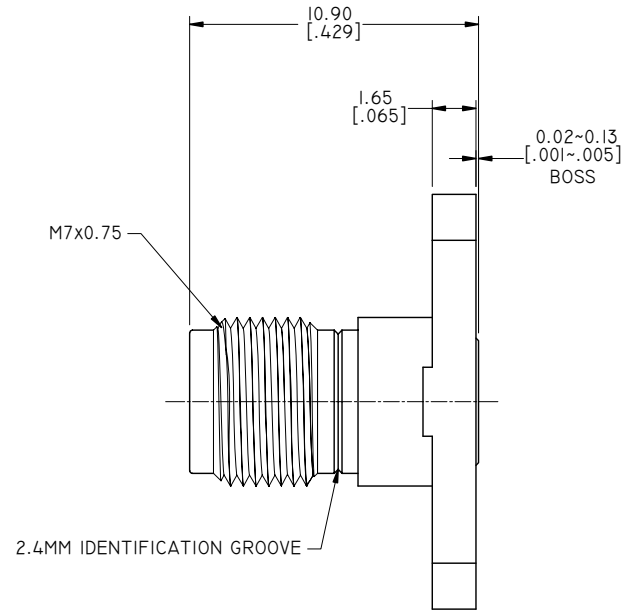
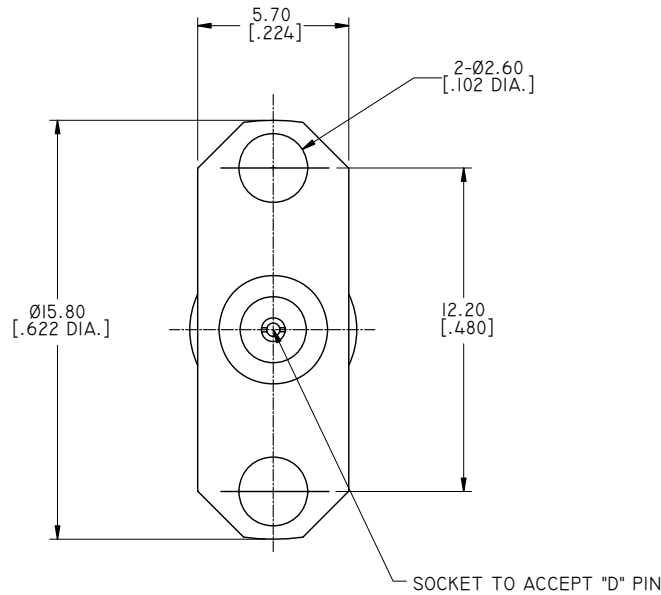
ENVIRONMENTAL DATA:

- 1 TEMPERATURE RANGE: -55°C~+125°C
- 2 2011/65/EU (RoHS): COMPLIANT

ELECTRICAL DATA:

- 1 IMPEDANCE: 50 Ω
- 2 FREQUENCY RANGE: DC~50 GHZ
- 3 VSWR: 1.10 MAX. AT DC~18 GHZ  
1.15 MAX. AT 18~40 GHZ  
1.18 MAX. AT 40~50 GHZ

REVISIONS			
REV.	DESCRIPTION	DATE	APPROVED
A	INITIAL RELEASE	05/15/14	J. QU
B	OUTLINE DRAWING CHANGED	04/23/16	J. QU
C	2.4MM IDENTIFICATION GROOV AND PART NO. ADDED	04/25/16	J. QU



PART NO.	D	PIN DEPTH MAX.
ANO 2212-3005-1	Ø0.23 [.009 DIA.]	1.65 [.065]
ANO 2212-3005-2	Ø0.30 [.012 DIA.]	2.16 [.085]
ANO 2212-3005-3	Ø0.51 [.020 DIA.]	1.65 [.065]
ANO 2212-3005-4	Ø0.38 [.015 DIA.]	2.00 [.079]
ANO 2212-3005-5	Ø0.46 [.018 DIA.]	2.00 [.079]

DRAWN	L. YANG	DATE	04/25/16
CHECKED	X. B. YANG	DATE	04/25/16
APPROVED	J. QU	DATE	04/25/16
UNLESS OTHERWISE SPECIFIED DIMENSIONS ARE IN MILLIMETERS. DIMENSIONS IN [ ] ARE IN INCHES FOR CUSTOMER REFERENCE ONLY UNLESS OTHERWISE SPECIFIED TOLERANCE ARE:		THESE DRAWINGS AND SPECIFICATIONS ARE THE PROPERTY OF ANOISON ELECTRONICS LTD AND SHOULD NOT BE USED WITHOUT WRITTEN PERMISSION COPYRIGHT © 2016 ANOISON ELECTRONICS LTD	
.XX	±0.13 [.005"]		
.X	±0.20 [.008"]		
X	±0.50 [.019"]		
.X°	±1°		
X°	±2°		



TITLE  
2.4MM FEMALE, 2 HOLE FLANGE, FIELD REPLACEABLE

VIEW		PART NO. ANO 2212-3005			
SIZE A3	SCALE 5:1	SHEET 1/1	REV. C		