

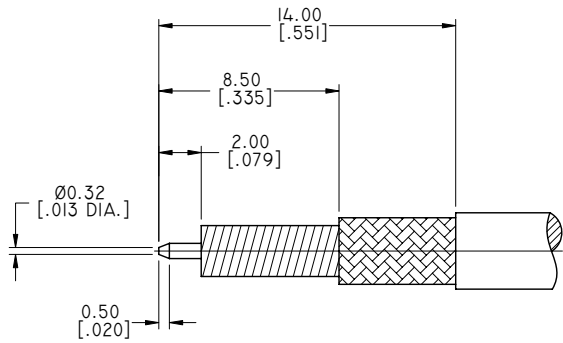
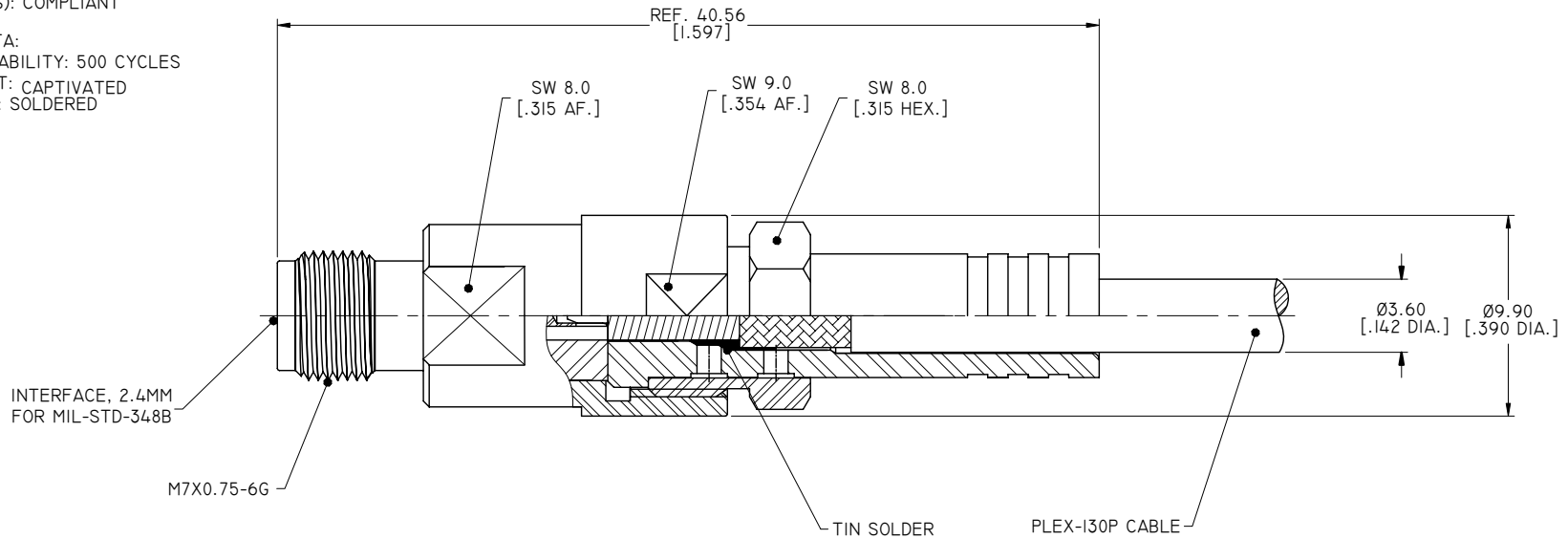
| REVISIONS |                 |          |          |
|-----------|-----------------|----------|----------|
| REV.      | DESCRIPTION     | DATE     | APPROVED |
| A         | INITIAL RELEASE | 09/20/16 | J. QU    |

1.0 MATERIAL & FINISH:  
 1.1 BODY: STAINLESS STEEL, PASSIVATED  
 1.2 CENTER CONTACT: BERYLLIUM COPPER ALLOY, GOLD PLATED  
 1.3 SOLDER FERRULE: BRASS, GOLD PLATED  
 1.4 INSULATOR: PEI

2.0 ELECTRICAL DATA:  
 2.1 IMPEDANCE: 50 Ω  
 2.2 FREQUENCY RANGE: DC~50GHZ  
 2.3 VSWR: 1.20 TYP.

3.0 ENVIRONMENTAL DATA:  
 3.1 TEMPERATURE RANGE: -55°C~+135°C  
 3.2 2011/65/EU (RoHS): COMPLIANT

4.0 MECHANICAL DATA:  
 4.1 MECHANICAL DURABILITY: 500 CYCLES  
 4.2 CENTER CONTACT: CAPTIVATED  
 4.3 OUTER CONTACT: SOLDERED



CABLE STRIPPING DIMENSIONS

|   |               |  |          |
|---|---------------|--|----------|
| DRAWN   | P. CHEN       | DATE   | 09/20/16 |
| CHECKED   | L. YANG       | DATE   | 09/20/16 |
| APPROVED  | J. QU         | DATE   | 09/20/16 |
| UNLESS OTHERWISE SPECIFIED DIMENSIONS ARE IN MILLINETERS. DIMENSIONS IN [ ] ARE IN INCHES FOR CUSTOMER REFERENCE ONLY UNLESS OTHERWISE SPECIFIED TOLERANCE ARE: |               | THESE DRAWINGS AND SPECIFICATIONS ARE THE PROPERTY OF ANOISON ELECTRONICS LTD AND SHOULD NOT BE USED WITHOUT WRITTEN PERMISSION COPYRIGHT © 2016 ANOISON ELECTRONICS LTD |          |
| .XX   | ±0.13 [.005"] |  |          |
| .X  | ±0.20 [.008"] |  |          |
| X   | ±0.50 [.019"] |  |          |
| .X°   | ±1°           |  |          |
| X°  | ±2°           |  |          |



|   |       |               |      |
|---|-------|---------------|------|
| TITLE   |       |               |      |
| 2.4MM STRAIGHT FEMALE SOLDER FOR PLEX-130P CABLE CAPTIVATED CONTACT |       |               |      |
| VIEW  |       | PART NO.      |      |
|   |       | ANO 2212-2016 |      |
| SIZE  | SCALE | SHEET         | REV. |
| A3  | 4:1   | 1/1           | A    |