

REVISIONS			
REV.	DESCRIPTION	DATE	APPROVED
A	INITIAL RELEASE	05/14/15	J. QU

MATERIAL & FINISH:

1. BODY: STAINLESS STEEL, PASSIVATED
2. CENTER CONTACT: BERYLLIUM COPPER ALLOY, GOLD PLATED
3. SOLDER FERRULE: BRASS, GOLD PLATED
4. INSULATOR: PEI

ELECTRICAL DATA:

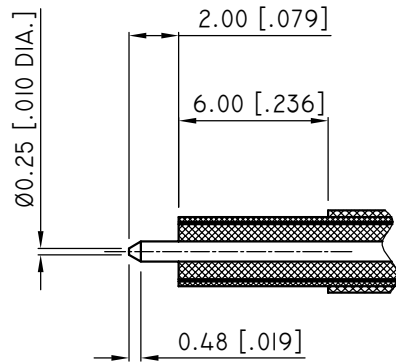
1. IMPEDANCE: 50 Ω
2. FREQUENCY RANGE: DC~50GHZ

ENVIRONMENTAL DATA:

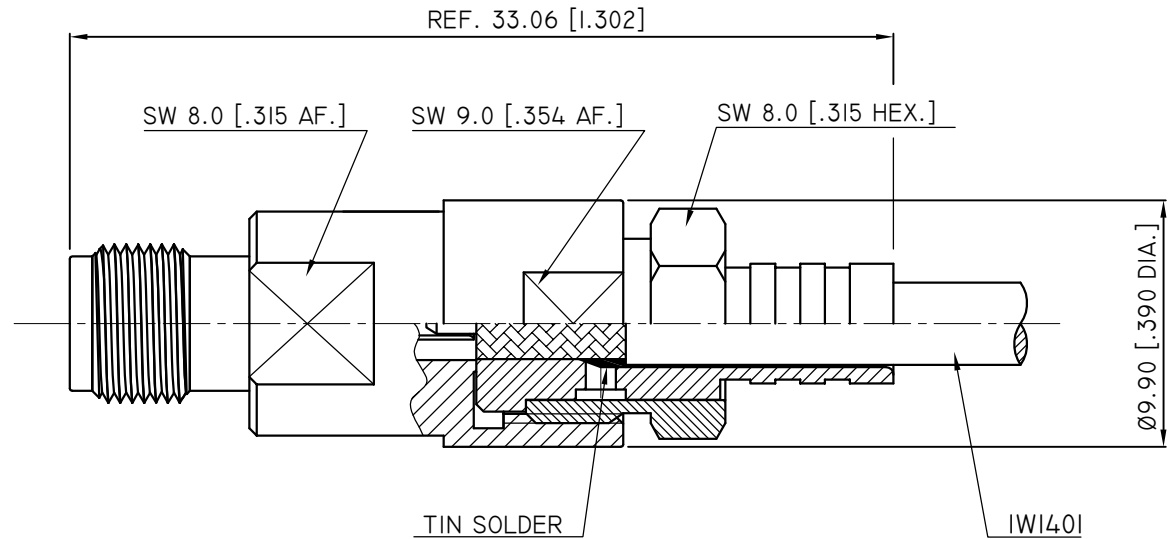
1. TEMPERATURE RANGE: -55°C~+125°C
2. 2011/65/EU (RoHS): COMPLIANT

MECHANICAL DATA:

1. MECHANICAL DURABILITY: 500 CYCLES MIN.
2. CENTER CONTACT: CAPTIVATED
3. OUTER CONTACT: SOLDERED



CABLE STRIPPING DIMENSIONS



DRAWN	X. B. YANG	DATE	05/14/15
CHECKED	L. YANG	DATE	05/14/15
APPROVED	J. QU	DATE	05/14/15
UNLESS OTHERWISE SPECIFIED DIMENSIONS ARE IN MILLIMETERS, DIMENSIONS IN [] ARE IN INCHES FOR CUSTOMER REFERENCE ONLY UNLESS OTHERWISE SPECIFIED TOLERANCE ARE:		THESE DRAWINGS AND SPECIFICATIONS ARE THE PROPERTY OF ANOISON ELECTRONICS LTD AND SHOULD NOT BE USED WITHOUT WRITTEN PERMISSION COPYRIGHT © 2014 ANOISON ELECTRONICS LTD	
.XX	±0.13 [0.005"]		
.X	±0.20 [0.008"]		
X	±0.50 [0.019"]		
.X°	±1°		
X°	±2°		

TITLE 2.4MM STRAIGHT FEMALE SOLDER FOR IW1401 CABLE CAPTIVATED CONTACT			
VIEW 		PART NO. ANO 2212-2008	
SIZE A3	SCALE 5:1	SHEET 1/1	REV. A