

4

3

2

1

MATERIAL & FINISH:

- 1 BODY: STAINLESS STEEL, PASSIVATED
- 2 CENTER CONTACT: BERYLLIUM COPPER ALLOY, GOLD PLATED
- 3 COUPLING NUT: STAINLESS STEEL, PASSIVATED
- 4 INSULATOR: PEI & PTFE
- 5 RETAINING RING: BERYLLIUM COPPER ALLOY, NICKEL PLATED

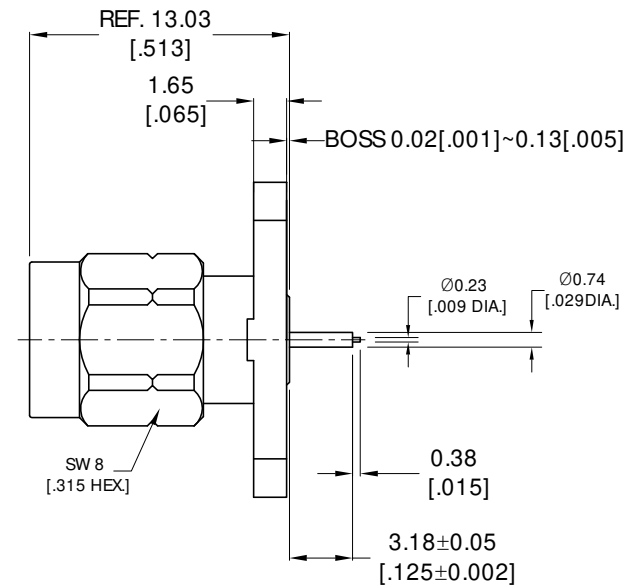
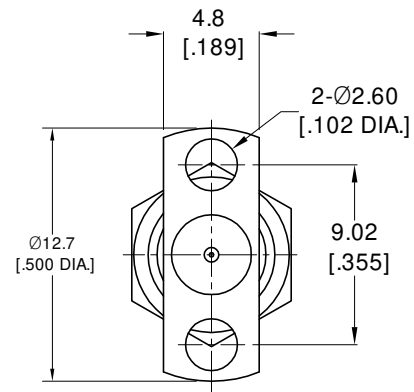
ELECTRICAL DATA:

- 1 IMPEDANCE: 50 Ω
- 2 FREQUENCY RANGE: DC~50 GHz
- 3 VSWR: 1.10 MAX. AT DC~18GHz
1.15 MAX. AT 18~40GHz
1.20 MAX. AT 40~50GHz

ENVIRONMENTAL DATA:

- 1 TEMPERATURE RANGE: -55°C~+125°C
- 2 2011/65/EU (RoHS) AND 2015/863/(RoHS): COMPLIANT
- 3 1999/2006/EC (REACH): COMPLIANT

REVISIONS			
REV.	DESCRIPTION	DATE	APPROVED
A	INITIAL RELEASE	07/06/23	J Q



DRAWN	P. C	DATE	07/06/23
CHECKED	W. Y	DATE	07/06/23
APPROVED	J Q	DATE	07/06/23

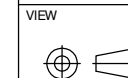
UNLESS OTHERWISE SPECIFIED DIMENSIONS ARE IN MILLIMETERS, DIMENSIONS IN [] ARE IN INCHES FOR CUSTOMER REFERENCE ONLY UNLESS OTHERWISE SPECIFIED TOLERANCE ARE:

.XX	±0.13 [.005"]
.X	±0.20 [.008"]
X	±0.50 [.019"]
.X°	±1°
X°	±2°

THESE DRAWINGS AND SPECIFICATIONS ARE THE PROPERTY OF ANOISON ELECTRONICS LTD AND SHOULD NOT BE USED WITHOUT WRITTEN PERMISSION
COPYRIGHT © 2023
ANOISON ELECTRONICS LTD



TITLE
2.4MM STRAIGHT MALE, 2 HOLE FLANGE MOUNT,
EXTENDED DIELECTRIC, POST CONTACT



PART NO.
ANO 2211-3067

SIZE	SCALE	SHEET	REV.
A3	4:1	1/1	A

4

3

2

1