

MATERIAL & FINISH:

- 1 BODY: STAINLESS STEEL, PASSIVATED
- 2 CENTER CONTACT: BERYLLIUM COPPER ALLOY, GOLD PLATED
- 3 INSULATOR: PTFE & PEI
- 4 COUPLING NUT: STAINLESS STEEL, PASSIVATED
- 5 RETAINING RING: BERYLLIUM COPPER ALLOY, NICKEL PLATED

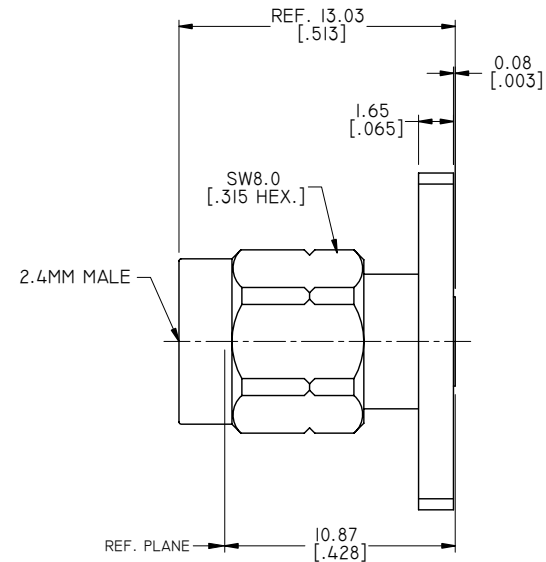
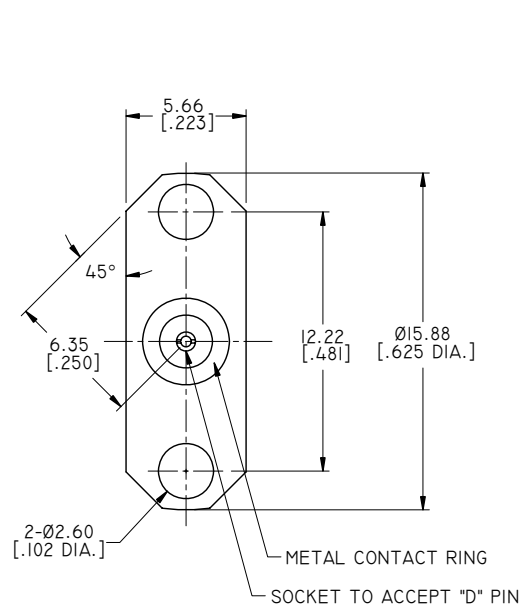
ELECTRICAL DATA:

- 1 IMPEDANCE: 50 Ω
- 2 FREQUENCY RANGE: DC~50 GHZ
- 3 VSWR: 1.10 MAX. AT DC~18GHZ
1.15 MAX. AT 18~40GHZ
1.18 MAX. AT 40~50GHZ

ENVIRONMENTAL DATA:

- 1 TEMPERATURE RANGE: -65°C~+165°C
- 2 2011/65/EU (RoHS): COMPLIANT

REVISIONS			
REV.	DESCRIPTION	DATE	APPROVED
A	INITIAL RELEASE	10/07/16	J. QU



PART NO.	D	PIN DEPTH MAX.
ANO 2211-3019-1	Ø0.23 [.009 DIA.]	1.65 [.065]
ANO 2211-3019-2	Ø0.30 [.012 DIA.]	2.00 [.079]
ANO 2211-3019-3	Ø0.51 [.020 DIA.]	2.00 [.079]

DRAWN	X. B. YANG	DATE	10/07/16
CHECKED	L. YANG	DATE	10/07/16
APPROVED	J. QU	DATE	10/07/16
UNLESS OTHERWISE SPECIFIED DIMENSIONS ARE IN MILLIMETERS. DIMENSIONS IN [] ARE IN INCHES FOR CUSTOMER REFERENCE ONLY UNLESS OTHERWISE SPECIFIED TOLERANCE ARE:		THESE DRAWINGS AND SPECIFICATIONS ARE THE PROPERTY OF ANOISON ELECTRONICS LTD AND SHOULD NOT BE USED WITHOUT WRITTEN PERMISSION COPYRIGHT © 2016 ANOISON ELECTRONICS LTD	
.XX	±0.13 [.005"]		
.X	±0.20 [.008"]		
X	±0.50 [.019"]		
.X°	±1°		
X°	±2°		



TITLE
2.4MM STRAIGHT MALE 2 HOLE .625" LONG FLANGE
FIELD REPLACEABLE

VIEW		PART NO. ANO 2211-3019			
SIZE	SCALE	SHEET	REV.		
A3	4:1	1/1	A		