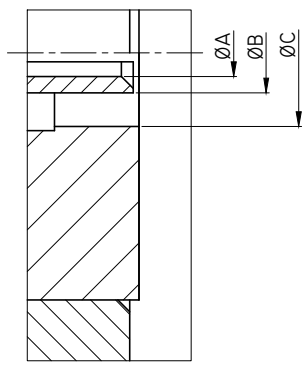
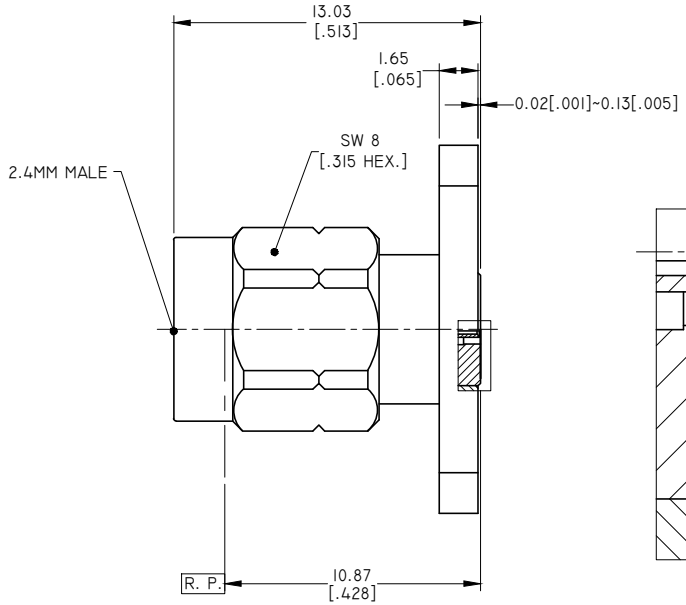
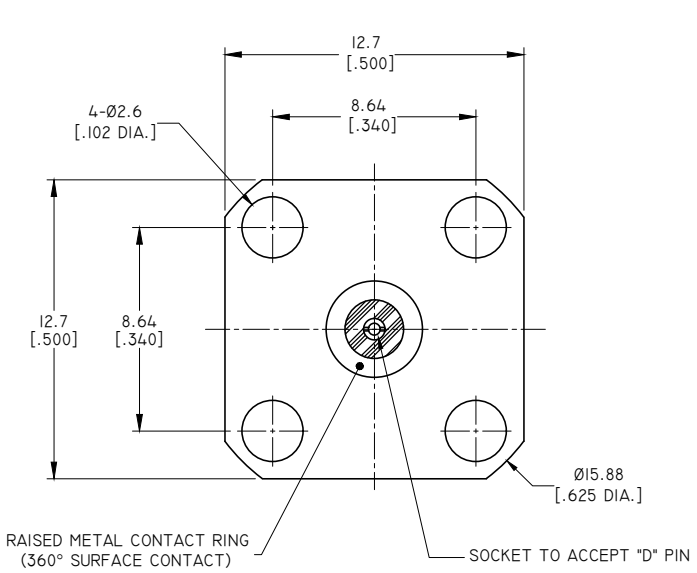


REVISIONS			
REV.	DESCRIPTION	DATE	APPROVED
A	INITIAL RELEASE	02/05/16	J. QU
B	13.03[.513] WAS 12.8[.504]	10/06/16	J. QU
	10.87[.428] WAS 10.8[.425]		
C	CHANGED TABLE		
C	CHANGED & ADDED DIMENSION	01/10/25	J. QU

1.0 MATERIAL & FINISH
 1.1 BODY: STAINLESS STEEL, PASSIVATED
 1.2 CENTER CONTACT: BERYLLIUM COPPER ALLOY, GOLD PLATED
 1.3 INSULATOR: PEI

2.0 ENVIRONMENTAL DATA:
 2.1 TEMPERATURE RANGE: -55°C~+135°C
 2.2 2011/65/EU (RoHS): COMPLIANT

3.0 ELECTRICAL DATA:
 3.1 IMPEDANCE: 50 OHMS
 3.2 FREQUENCY RANGE: DC~50GHZ
 3.3 VSWR: 1.10 MAX. AT DC~18GHZ
 1.15 MAX. AT 18~40GHZ
 1.18 MAX. AT 40~50GHZ



PART NO.	D	A	B	C	PIN DEPTH MAX.
ANO 2211-3011-1	Ø0.23 [.009 DIA.]	Ø0.25 [.010 DIA.]	Ø0.51 [.020 DIA.]	Ø1.10 [.043 DIA.]	1.65 [.065]
ANO 2211-3011-2	Ø0.30 [.012 DIA.]	Ø0.32 [.0126 DIA.]	Ø0.58 [.023 DIA.]	Ø1.25 [.049 DIA.]	2.16 [.085]
ANO 2211-3011-3	Ø0.51 [.020 DIA.]	Ø0.53 [.021 DIA.]	Ø0.75 [.029 DIA.]	Ø1.64 [.065 DIA.]	1.65 [.065]

DRAWN	P. CHEN	DATE	01/10/25
CHECKED	L. YANG	DATE	01/10/25
APPROVED	J. QU	DATE	01/10/25
UNLESS OTHERWISE SPECIFIED DIMENSIONS ARE IN MILLIMETERS. DIMENSIONS IN [] ARE IN INCHES FOR CUSTOMER REFERENCE ONLY UNLESS OTHERWISE SPECIFIED TOLERANCE ARE:		THESE DRAWINGS AND SPECIFICATIONS ARE THE PROPERTY OF ANOISON ELECTRONICS LTD AND SHOULD NOT BE USED WITHOUT WRITTEN PERMISSION COPYRIGHT © 2025 ANOISON ELECTRONICS LTD	
.XX	±0.13 [.005"]		
.X	±0.20 [.008"]		
X	±0.50 [.019"]		
.X°	±1°		
X°	±2°		

ANOISON
 ...we create connection for technologies

TITLE
 2.4MM STRAIGHT MALE 4 HOLE 0.5SQ FLANGE TO ACCEPT PIN

VIEW

PART NO.
 ANO 2211-3011

SIZE	A3	SCALE	5:1	SHEET	I/I	REV.	C
------	----	-------	-----	-------	-----	------	---