

REVISIONS			
REV.	DESCRIPTION	DATE	APPROVED
A	INITIAL RELEASE	08/21/20	J. QU

MATERIAL & FINISH:

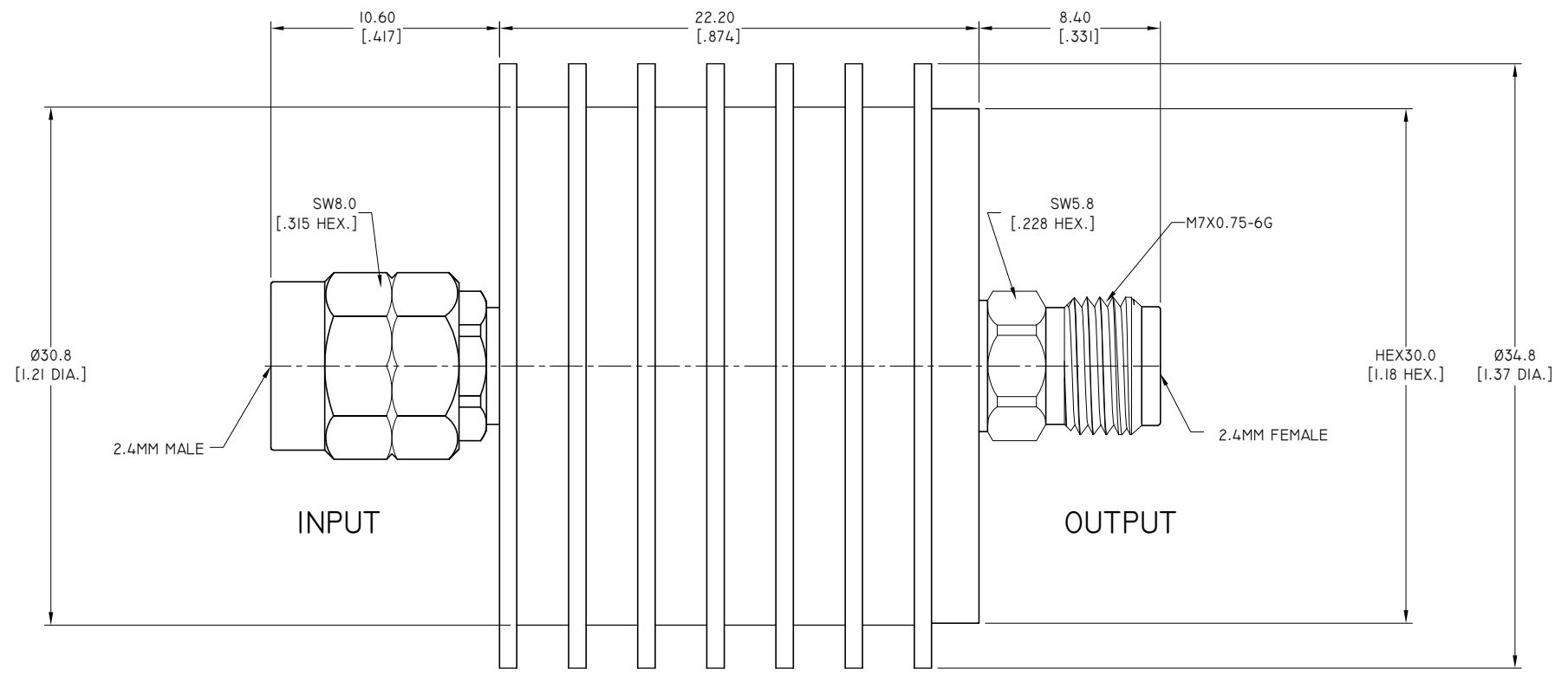
- 1 BODY: STAINLESS STEEL, PASSIVATED
- 2 CENTER CONTACT: BERYLLIUM COPPER ALLOY, GOLD PLATED
- 3 INSULATOR: PEI
- 4 COUPLING NUT: STAINLESS STEEL, PASSIVATED
- 5 RADIATOR: ALUMINIUM, BLACK

ELECTRICAL DATA:

- 1 IMPEDANCE: 50 Ω
- 2 FREQUENCY RANGE: DC~50 GHZ
- 3 VSWR: 1.34 MAX.
- 4 AVERAGE POWER: MAXIMUM POWER 15 WATTS AVERAGE TO 25°C AMBIENT TEMPERATURE, DERATED LINEARLY TO 1.5W @ 100°C
- 5 PEAK POWER: MAXIMUM POWER 100 W (5μS PULSE WIDTH WITH THE MAXIMUM 6% DUTY CYCLE)
- 6 ATTENUATOR ACCURACY: SEE TABLE

ENVIRONMENTAL DATA:


- 1 TEMPERATURE RANGE: -55°C~+100°C
- 2 2011/65/EU(RoHS) AND 2015/863/(RoHS): COMPLIANT
- 3 1907/2006/EC(REACH) AND 1999/45/EC(REACH): COMPLIANT



PART NO.	ATTENUATION VALUES & ACCURACY			
	3 DB ~ 10 DB	20 DB	30 DB	40 DB
ANO 22-1501-XX	+1.8 DB -1.5 DB	+1.5 DB -1.2 DB	+1.5 DB -1.2 DB	+1.5 DB -1.2 DB

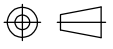
NOTE: XX REFER TO ATTENUATION VALUE IN DB

DRAWN	W. YANG	DATE	08/21/20
CHECKED	L. YANG	DATE	08/21/20
APPROVED	J. QU	DATE	08/21/20
UNLESS OTHERWISE SPECIFIED DIMENSIONS ARE IN MILLIMETERS, DIMENSIONS IN [] ARE IN INCHES FOR CUSTOMER REFERENCE ONLY UNLESS OTHERWISE SPECIFIED TOLERANCE ARE:		THESE DRAWINGS AND SPECIFICATIONS ARE THE PROPERTY OF ANOISON ELECTRONICS LTD AND SHOULD NOT BE USED WITHOUT WRITTEN PERMISSION COPYRIGHT © 2020 ANOISON ELECTRONICS LTD	
.XX	±0.13 [0.005"]		
.X	±0.25 [0.010"]		
X	±0.50 [0.019"]		
.X*	±1*		
X*	±2*		



ANOISON
...we create connection for technologies

TITLE
ATTENUATOR 2.4MM MALE TO 2.4MM FEMALE
15 WATT, DC~50GHZ

VIEW


PART NO.
ANO 22-1501-XX

SIZE	SCALE	SHEET	REV.
A3	5:1	1/1	A

4

3

2

1