

REVISIONS			
REV.	DESCRIPTION	DATE	APPROVED
A	INITIAL RELEASE	06/14/22	J. Q

**MATERIAL & FINISH:**

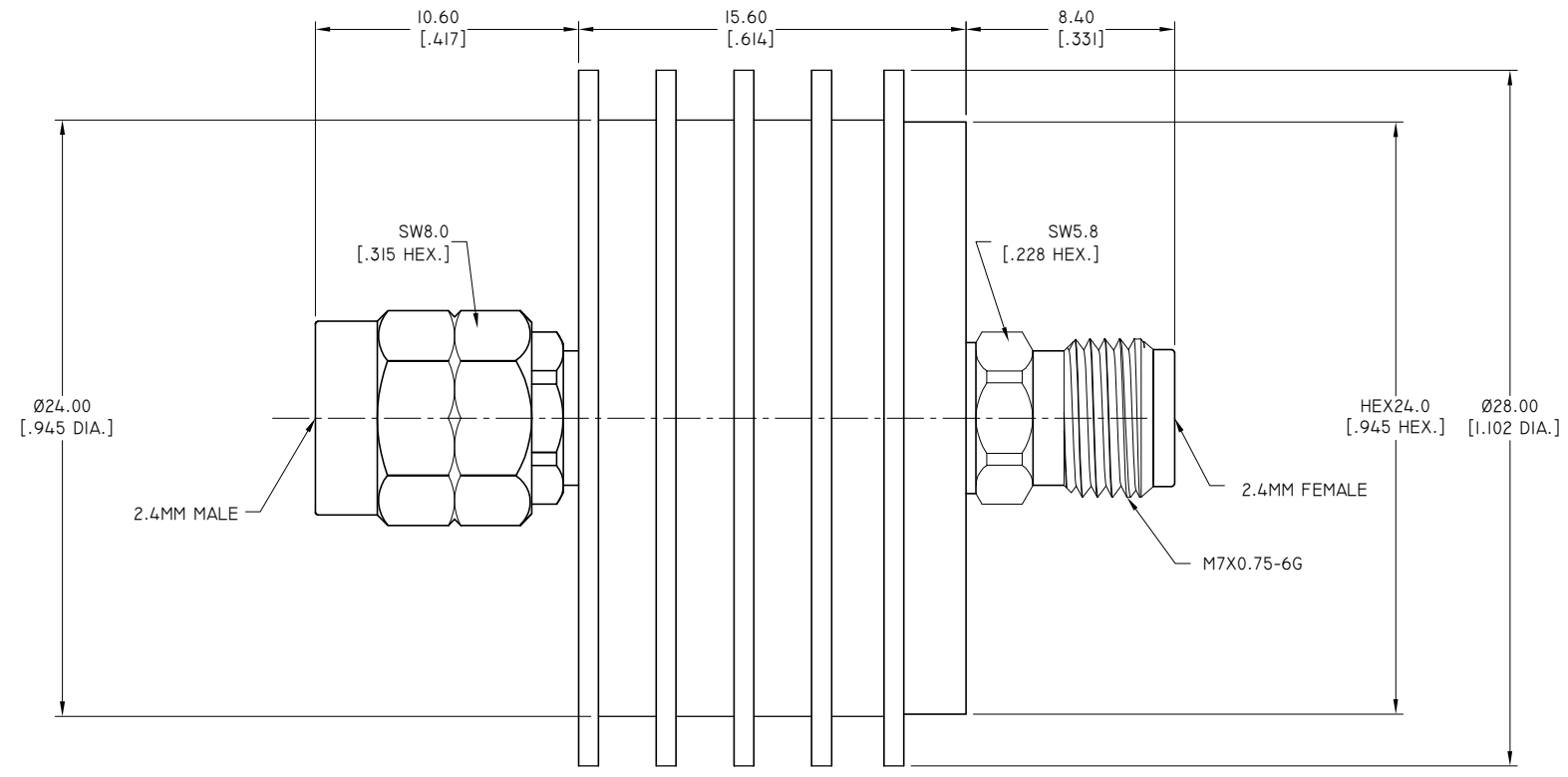
- 1 BODY: STAINLESS STEEL, PASSIVATED
- 2 CENTER CONTACT: BERYLLIUM COPPER ALLOY, GOLD PLATED
- 3 INSULATOR: PEI
- 4 COUPLING NUT: STAINLESS STEEL, PASSIVATED
- 5 RADIATOR: ALUMINIUM, BLACK

**ELECTRICAL DATA:**

- 1 IMPEDANCE: 50 Ω
- 2 FREQUENCY RANGE: DC~50 GHZ
- 3 VSWR: 1.34 MAX.
- 4 AVERAGE POWER: MAXIMUM POWER 5 WATTS AVERAGE TO 25°C AMBIENT TEMPERATURE, DERATED LINEARLY TO 1W @ 100°C
- 5 PEAK POWER: MAXIMUM POWER 100 W (5μS PULSE WIDTH WITH THE MAXIMUM 2% DUTY CYCLE)
- 6 ATTENUATOR ACCURACY: SEE TABLE

**ENVIRONMENTAL DATA:**

- 1 TEMPERATURE RANGE: -55°C~+100°C
- 2 2011/65/EU(RoHS) AND 2015/863/(RoHS): COMPLIANT
- 3 1907/2006/EC(REACH) AND 1999/45/EC(REACH): COMPLIANT



PART NO.	ATTENUATION VALUES & ACCURACY			
	1 DB ~ 3 DB	4 DB ~ 8 DB	9 DB ~ 25 DB	26 DB ~ 40 DB
ANO 22-0501-XX	+1.0 DB -0.7 DB	+1.2 DB -0.8 DB	±0.8 DB	+1.2 DB -0.9 DB

NOTE: XX REFER TO ATTENUATION VALUE IN DB

DRAWN	W. Y	DATE	06/14/22
CHECKED	L. Y	DATE	06/14/22
APPROVED	J. Q	DATE	06/14/22

UNLESS OTHERWISE SPECIFIED DIMENSIONS ARE IN MILLIMETERS, DIMENSIONS IN [ ] ARE IN INCHES FOR CUSTOMER REFERENCE ONLY UNLESS OTHERWISE SPECIFIED TOLERANCE ARE:

.XX	±0.13 [.005"]
.X	±0.25 [.010"]
X	±0.50 [.019"]
.X*	±1*
X*	±2*

THESE DRAWINGS AND SPECIFICATIONS ARE THE PROPERTY OF ANOISON ELECTRONICS LTD AND SHOULD NOT BE USED WITHOUT WRITTEN PERMISSION COPYRIGHT © 2022 ANOISON ELECTRONICS LTD



TITLE  
**ATTENUATOR 2.4MM MALE TO 2.4MM FEMALE  
 5 WATT BI DIRECTIONAL, DC~50GHZ**

VIEW	PART NO. ANO 22-0501-XX			
	SIZE A3	SCALE 5:1	SHEET 1/1	REV. A