

**MATERIAL & FINISH:**

- 1 BODY: BRASS, GOLD PLATED
- 2 CENTER CONTACT: BERYLLIUM COPPER ALLOY, GOLD PLATED
- 3 INSULATOR: PTFE
- 4 COUPLING NUT: BRASS, GOLD PLATED
- 5 GASKET: SILICONE RUBBER

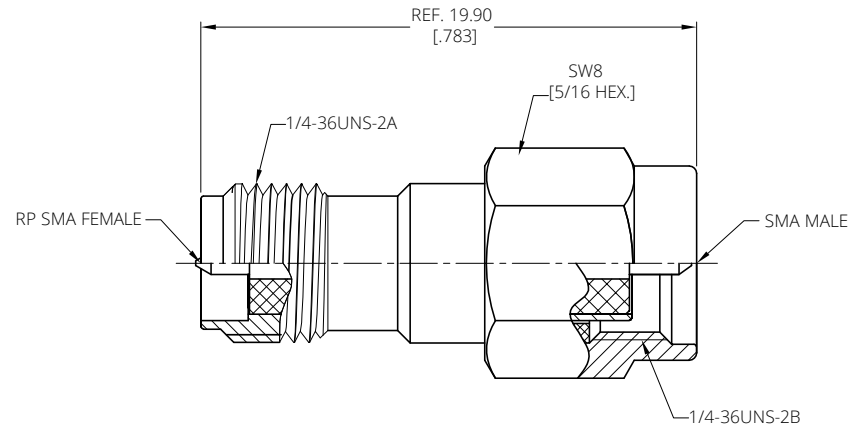
**ELECTRICAL DATA:**

- 1 IMPEDANCE: 50 Ω
- 2 FREQUENCY RANGE: DC-6 GHz
- 3 VSWR: 1.3 MAX.


**ENVIRONMENTAL DATA:**

- 1 TEMPERATURE RANGE: -55°C ~ +125°C
- 2 2011/65/EU(RoHS) AND 2015/863/(RoHS): COMPLIANT
- 3 1907/2006/EC(REACH): COMPLIANT

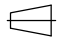

REVISIONS			
REV.	DESCRIPTION	DATE	APPROVED
A	INITIAL RELEASE	07/11/23	J. Q



DRAWN	X. Y	DATE	07/11/23
CHECKED	W. Y	DATE	07/11/23
APPROVED	J. Q	DATE	07/11/23
UNLESS OTHERWISE SPECIFIED DIMENSIONS ARE IN MILLIMETERS, DIMENSIONS IN [ ] ARE IN INCHES FOR CUSTOMER REFERENCE ONLY UNLESS OTHERWISE SPECIFIED TOLERANCE ARE:		THESE DRAWINGS AND SPECIFICATIONS ARE THE PROPERTY OF ANOISON ELECTRONICS LTD AND SHOULD NOT BE USED WITHOUT WRITTEN PERMISSION COPYRIGHT © 2023 ANOISON ELECTRONICS LTD	
XX	±0.13 [.005"]		
X	±0.20 [.008"]		
x	±0.50 [.019"]		
X*	±1°		
x*	±2°		



**TITLE**  
ADAPTER, RP SMA FEMALE TO SMA MALE

**VIEW**  

**PART NO.**  
ANO 214-211-1241

<b>SIZE</b> A3	<b>SCALE</b> 5:1	<b>SHEET</b> 1/1	<b>REV.</b> A
-------------------	---------------------	---------------------	------------------

