

4

3

2

1

REVISIONS			
REV.	DESCRIPTION	DATE	APPROVED
A	INITIAL RELEASE	10/06/11	J. Q
B	CHANGED LENGTH 22.70 WAS 21.70	06/13/25	J. Q

MATERIAL & FINISH:

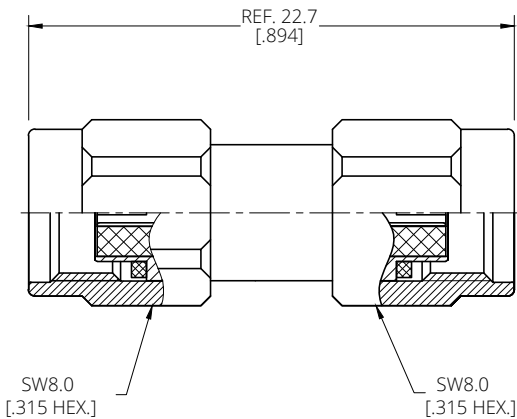
- 1 BODY: BRASS, SEE TABLE
- 2 CENTER CONTACT: BERYLLIUM COPPER ALLOY, GOLD PLATED
- 3 INSULATOR: PTFE
- 4 COUPLING NUT: BRASS, SEE TABLE
- 5 GASKET: SILICONE RUBBER

ELECTRICAL DATA:

- 1 IMPEDANCE: 50 Ω
- 2 FREQUENCY RANGE: DC~18 GHz
- 3 VSWR: 1.15 MAX.

ENVIRONMENTAL DATA:

- 1 TEMPERATURE RANGE: -65°C~+125°C
- 2 2011/65/EU(RoHS) AND 2015/863/(RoHS): COMPLIANT
- 3 1907/2006/EC(REACH): COMPLIANT



PART	FINISH	PART NUMBER
Body	Gold	ANO 213-213-1137-1
Coupling Nut		
Body	Nickel	ANO 213-213-1137-2
Coupling Nut		

DRAWN	Y. H	DATE	06/13/25
CHECKED	L. Y	DATE	06/13/25
APPROVED	J. Q	DATE	06/13/25
UNLESS OTHERWISE SPECIFIED DIMENSIONS ARE IN MILLIMETERS, DIMENSIONS IN [] ARE IN INCHES FOR CUSTOMER REFERENCE ONLY UNLESS OTHERWISE SPECIFIED TOLERANCE ARE:		THESE DRAWINGS AND SPECIFICATIONS ARE THE PROPERTY OF ANOISON ELECTRONICS LTD AND SHOULD NOT BE USED WITHOUT WRITTEN PERMISSION COPYRIGHT © 2025 ANOISON ELECTRONICS LTD	
	.XX	±0.13 [0.005"]	
	.X	±0.20 [0.008"]	
	.X°	±0.50 [0.019"]	
	X°	±1°	
	X°	±2°	



TITLE			
ADAPTER, RP SMA MALE TO RP SMA MALE			
VIEW		PART NO.	
		ANO 213-213-1137	
SIZE	SCALE	SHEET	REV.
A3	4:1	1/1	B

4

3

2

1