

REVISIONS			
REV.	DESCRIPTION	DATE	APPROVED
A	INITIAL RELEASE	11/13/12	J. QU
B	FINISH CHANGED	12/11/12	J. QU
C	FINISH ADDED	02/07/20	J. QU

**MATERIAL & FINISH:**

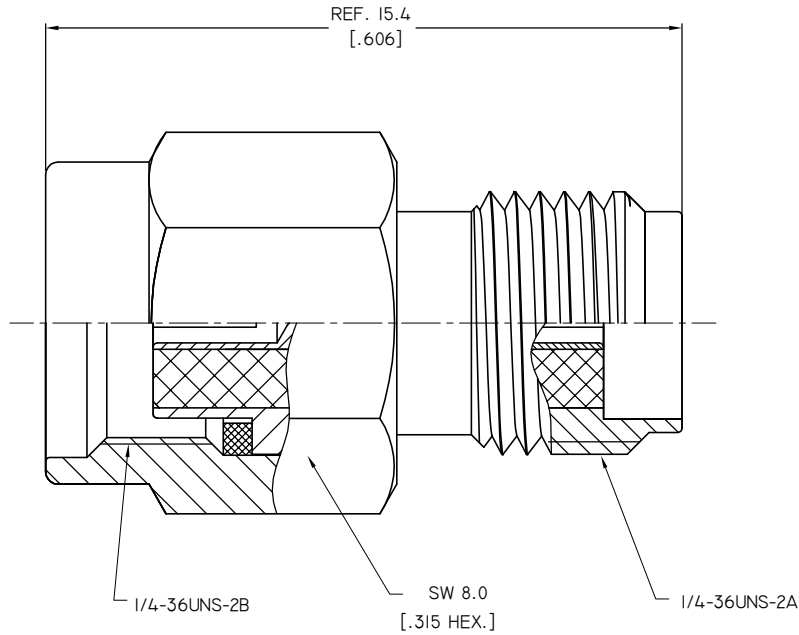
- 1 BODY: BRASS, SEE TABLE
- 2 CENTER CONTACT: BERYLLIUM COPPER ALLOY, GOLD PLATED
- 3 INSULATOR: PTFE

**ELECTRICAL DATA:**

- 1 IMPEDANCE: 50 Ω
- 2 FREQUENCY RANGE: DC~6 GHz
- 3 VSWR: ≤1.30

**ENVIRONMENTAL DATA:**

- 1 TEMPERATURE RANGE: -55 °C~+125 °C
- 2 2011/65/EU (RoHS): COMPLIANT



PART NO.	PART	FINISH
ANO 213-212-1240	BODY	NICKEL
ANO 213-212-1240-1		GOLD

DRAWN	W. YANG	DATE	02/07/20
CHECKED	L. YANG	DATE	02/07/20
APPROVED	J. QU	DATE	02/07/20

UNLESS OTHERWISE SPECIFIED DIMENSIONS ARE IN MILLIMETERS. DIMENSIONS IN [ ] ARE IN INCHES FOR CUSTOMER REFERENCE ONLY UNLESS OTHERWISE SPECIFIED TOLERANCE ARE:

.XX	±0.13 [.005"]
.X	±0.20 [.008"]
X	±0.50 [.019"]
.X°	±1°
X°	±2°

THESE DRAWINGS AND SPECIFICATIONS ARE THE PROPERTY OF ANOISON ELECTRONICS LTD AND SHOULD NOT BE USED WITHOUT WRITTEN PERMISSION COPYRIGHT © 2020 ANOISON ELECTRONICS LTD



TITLE  
ADAPTER, RP SMA MALE TO SMA FEMALE

VIEW	PART NO. ANO 213-212-1240		
	SIZE A3	SCALE 8:1	SHEET 1/1
		REV. C	