

MATERIAL & FINISH:

- 1 BODY: BRASS, GOLD PLATED
- 2 CENTER CONTACT: BERYLLIUM COPPER ALLOY, GOLD PLATED
- 3 WASHER: BERYLLIUM COPPER ALLOY, GOLD PLATED
- 4 FASTENING NUT: BRASS, GOLD PLATED
- 5 INSULATOR: PTFE
- 6 O-RING: SILICONE RUBBER

ELECTRICAL DATA:

- 1 IMPEDANCE: 50 Ω
- 2 FREQUENCY RANGE: DC~11 GHz

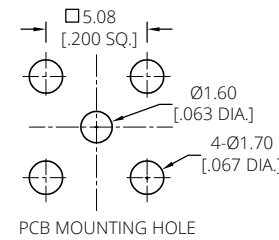
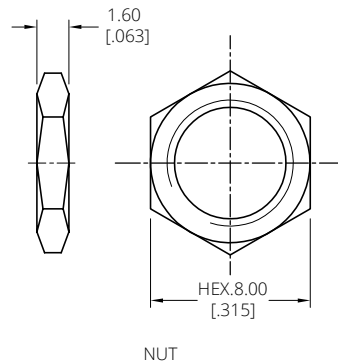
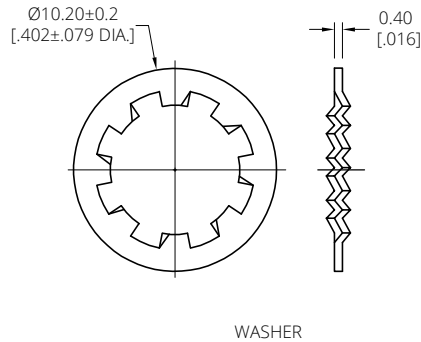
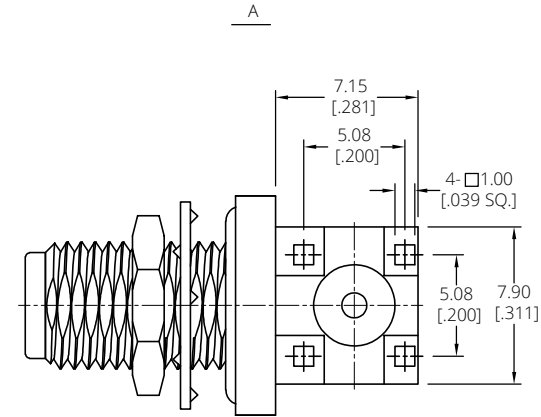
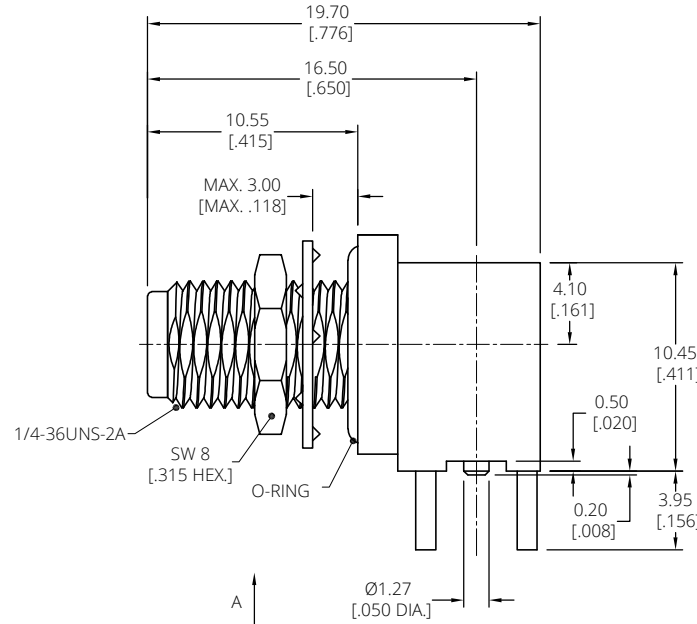
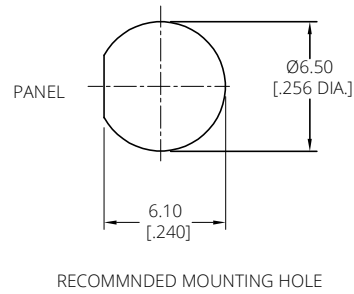
ENVIRONMENTAL DATA:

- 1 TEMPERATURE RANGE: -65°C~+165°C
- 2 2011/65/EU(RoHS) AND 2015/863/(RoHS): COMPLIANT
- 3 1999/45/EC(REACH): COMPLIANT

MECHANICAL DATA:

- 1 IP RATING: IP67 (UNMATED)

REVISIONS			
REV.	DESCRIPTION	DATE	APPROVED
A	INITIAL RELEASE	10/08/24	J. Q



DRAWN	W. Y	DATE	10/08/24
CHECKED	X. Y	DATE	10/08/24
APPROVED	J. Q	DATE	10/08/24
UNLESS OTHERWISE SPECIFIED DIMENSIONS ARE IN MILLIMETERS, DIMENSIONS IN [] ARE IN INCHES FOR CUSTOMER REFERENCE ONLY UNLESS OTHERWISE SPECIFIED TOLERANCE ARE:		THESE DRAWINGS AND SPECIFICATIONS ARE THE PROPERTY OF ANOISON ELECTRONICS LTD AND SHOULD NOT BE USED WITHOUT WRITTEN PERMISSION COPYRIGHT © 2024 ANOISON ELECTRONICS LTD	
xx	±0.13 [0.005"]		
x	±0.20 [0.008"]		
x	±0.50 [0.019"]		
x°	±1°		
x°	±2°		

TITLE

SMA R/A BULKHEAD FEMALE PCB RECEPTACLE, IP-67 COMPLIANT

VIEW

PART NO.

ANO 2122-4713

SIZE	SCALE	SHEET	REV.
A4	4:1	1/1	A