

**MATERIAL & FINISH:**

- 1 BODY: STAINLESS STEEL, GOLD PLATED
- 2 CENTER CONTACT: BERYLLIUM COPPER ALLOY, GOLD PLATED
- 3 INSULATOR: PTFE

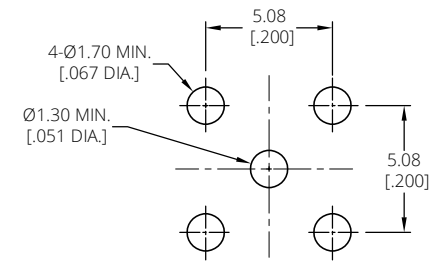
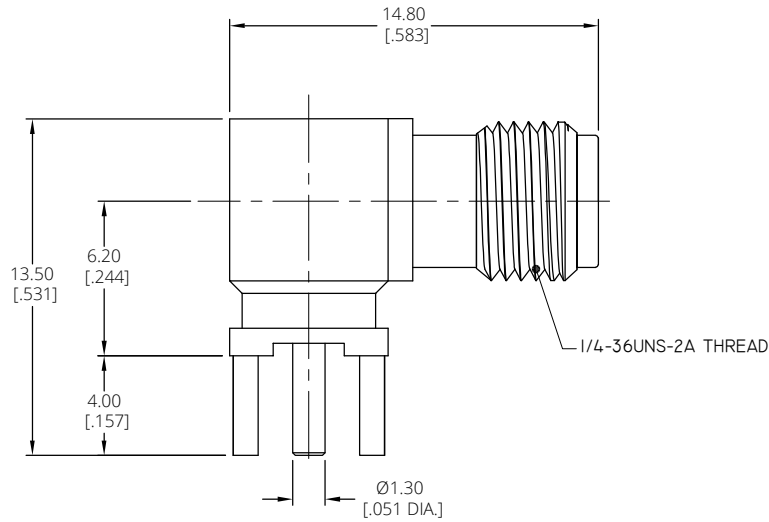
**ENVIRONMENTAL DATA:**

- 1 TEMPERATURE RANGE: -55°C~+125°C
- 2 2011/65/EU(RoHS) AND 2015/863/(RoHS); COMPLIANT
- 3 1907/2006/EC(REACH): COMPLIANT

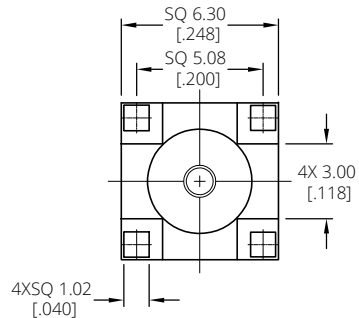
**ELECTRICAL DATA:**

- 1 IMPEDANCE: 50 Ω
- 2 FREQUENCY RANGE: DC~18 GHz
- 3 VSWR: 1.04+0.0045 x F (GHz) MAX.
- 4 INSERTION LOSS: 0.07 x √F (GHz) dB MAX.

REVISIONS			
REV.	DESCRIPTION	DATE	APPROVED
A	INITIAL RELEASE	07/11/24	J. Q



RECOMMENDED MOUNTING HOLE



DRAWN	W. Y	DATE	07/11/24
CHECKED	L. Y	DATE	07/11/24
APPROVED	J. Q	DATE	07/11/24
UNLESS OTHERWISE SPECIFIED DIMENSIONS ARE IN MILLIMETERS, DIMENSIONS IN [ ] ARE IN INCHES FOR CUSTOMER REFERENCE ONLY UNLESS OTHERWISE SPECIFIED TOLERANCE ARE:		THESE DRAWINGS AND SPECIFICATIONS ARE THE PROPERTY OF ANOISON ELECTRONICS LTD AND SHOULD NOT BE USED WITHOUT WRITTEN PERMISSION COPYRIGHT © 2024 ANOISON ELECTRONICS LTD	
	XX	±0.13	[0.005"]
	X	±0.20	[0.008"]
	x	±0.50	[0.019"]
	x°	±1°	
	x"	±2°	



TITLE SMA RIGHT ANGLE FEMALE CONNECTOR PCB RECEPTACLE			
VIEW 		PART NO. ANO 2122-4702	
SIZE A3	SCALE 5:1	SHEET 1/1	REV. A