

**MATERIAL & FINISH:**

- 1 BODY: BRASS, GOLD PLATED
- 2 CENTER CONTACT: BERYLLIUM COPPER ALLOY, GOLD PLATED
- 3 INSULATOR: PTFE

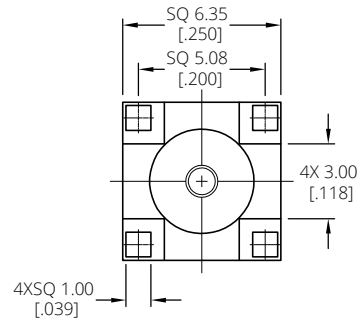
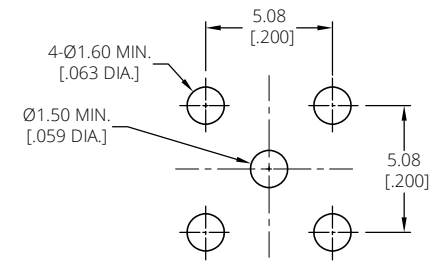
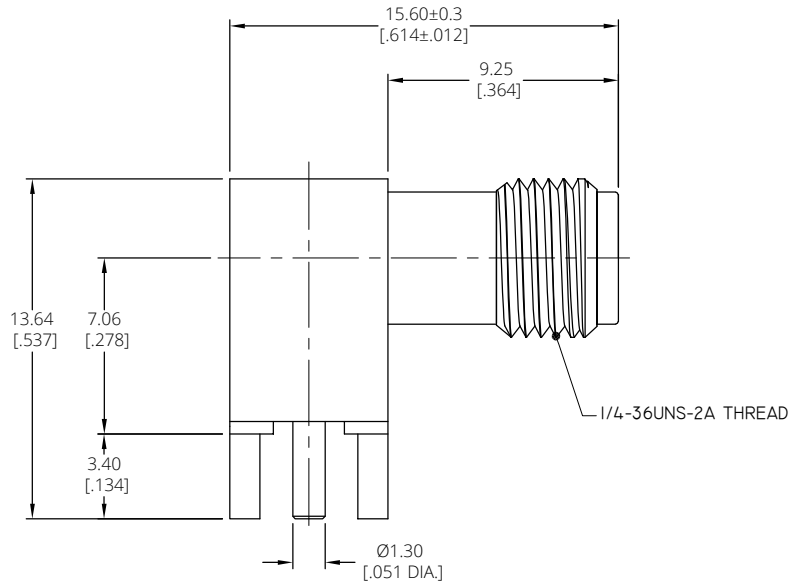
**ELECTRICAL DATA:**

- 1 IMPEDANCE: 50 Ω
- 2 FREQUENCY RANGE: DC~12.4 GHz
- 3 VSWR: 1.35MAX.

**ENVIRONMENTAL DATA:**

- 1 TEMPERATURE RANGE: -55°C~+125°C
- 2 2011/65/EU(RoHS) AND 2015/863/(RoHS); COMPLIANT
- 3 1907/2006/EC(REACH): COMPLIANT

REVISIONS			
REV.	DESCRIPTION	DATE	APPROVED
A	INITIAL RELEASE	07/17/23	J. Q



DRAWN	W. Y	DATE	07/17/23
CHECKED	L. Y	DATE	07/17/23
APPROVED	J. Q	DATE	07/17/23
UNLESS OTHERWISE SPECIFIED DIMENSIONS ARE IN MILLIMETERS, DIMENSIONS IN [ ] ARE IN INCHES FOR CUSTOMER REFERENCE ONLY UNLESS OTHERWISE SPECIFIED TOLERANCE ARE:		THESE DRAWINGS AND SPECIFICATIONS ARE THE PROPERTY OF ANOISON ELECTRONICS LTD AND SHOULD NOT BE USED WITHOUT WRITTEN PERMISSION COPYRIGHT © 2023 ANOISON ELECTRONICS LTD	
XX	±0.13	[.005"]	
X	±0.20	[.008"]	
X	±0.50	[.019"]	
X"	±1°		
X"	±2°		



TITLE SMA RIGHT ANGLE FEMALE CONNECTOR PCB RECEPTACLE			
VIEW 		PART NO. ANO 2122-4660	
SIZE A3	SCALE 5:1	SHEET 1/1	REV. A