

4

3

2

1

MATERIAL & FINISH:

- 1 BODY: STAINLESS STEEL, PASSIVATED
- 2 CENTER CONTACT: BERYLLIUM COPPER ALLOY, GOLD PLATED
- 3 INSULATOR: PTFE

ENVIRONMENTAL DATA:

- 1 TEMPERATURE RANGE: -55°C~+165°C
- 2 2011/65/EU (RoHS): COMPLIANT

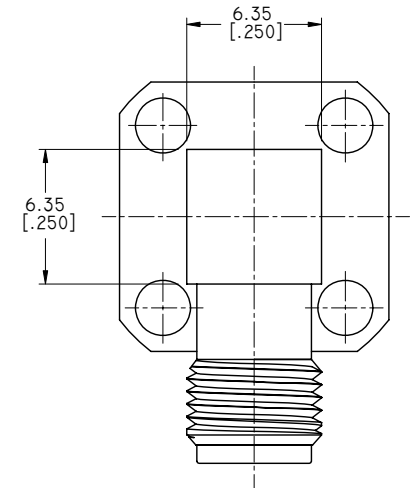
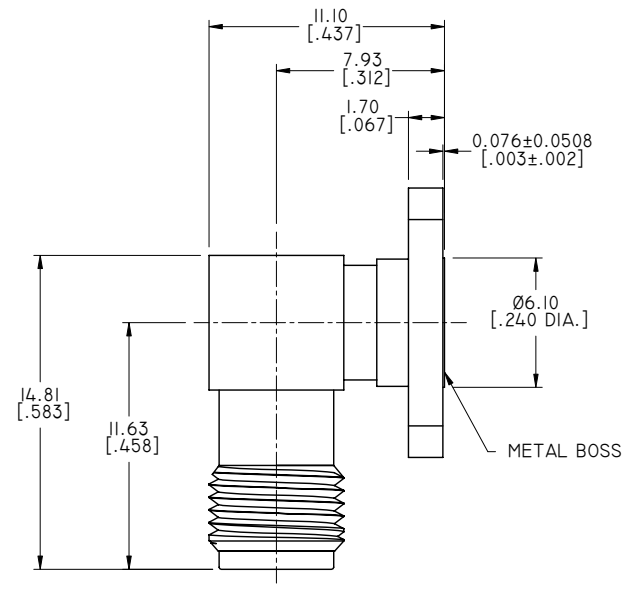
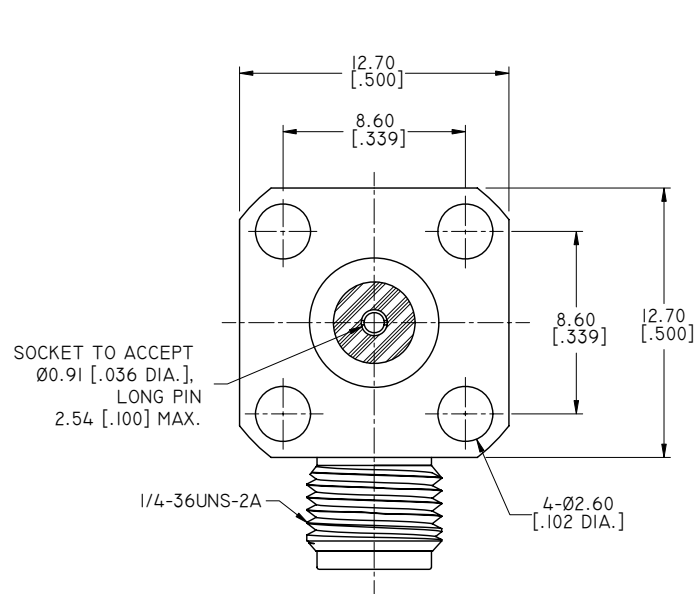
MECHANICAL DATA:

DURABILITY (MATINGS): > 500

ELECTRICAL SPECIFICATIONS:

- 1 IMPEDANCE: 50 Ω
- 2 FREQUENCY RANGE: DC~22GHZ
- 3 VSWR: 1.07+0.01 X F(GHZ) MAX.
- 4 INSERTION LOSS: 0.05 x √F(GHZ) DB MAX.
- 5 DIELECTRIC WITHSTANDING VOLTAGE: 750 VRMS MAX.
- 6 INSULATION RESISTANCE: 5000 M OHMS MIN.
- 7 CONTACT RESISTANCE:
CENTER CONTACT: 6 M OHMS MAX.
OUTER CONTACT: 2 M OHMS MAX.

REVISIONS			
REV.	DESCRIPTION	DATE	APPROVED
A	INITIAL RELEASE	04/05/17	J. QU



DRAWN	P. CHEN	DATE	04/05/17
CHECKED	X. B. YANG	DATE	04/05/17
APPROVED	J. QU	DATE	04/05/17
UNLESS OTHERWISE SPECIFIED DIMENSIONS ARE IN MILLIMETERS. DIMENSIONS IN [] ARE IN INCHES FOR CUSTOMER REFERENCE ONLY UNLESS OTHERWISE SPECIFIED TOLERANCE ARE:		THESE DRAWINGS AND SPECIFICATIONS ARE THE PROPERTY OF ANOISON ELECTRONICS LTD AND SHOULD NOT BE USED WITHOUT WRITTEN PERMISSION COPYRIGHT © 2017 ANOISON ELECTRONICS LTD	
.XX	±0.13 [0.005"]		
.X	±0.20 [0.008"]		
X	±0.50 [0.019"]		
.X°	±1°		
X°	±2°		



TITLE
SMA R/A FEMALE, 4 HOLE .50 FLANGE MOUNT PANEL RECEPTACLE .036 DIA.

VIEW	PART NO. ANO 2122-3443			
	SIZE	SCALE	SHEET	REV.
	A3	4:1	1/1	A

4

3

2

1