

4

3

2

1

MATERIAL & FINISH:

- 1 BODY : STAINLESS STEEL 303, PASSIVATED
- 2 FEMALE CONTACT: BERYLLIUM COPPER ALLOY, GOLD PLATED
- 3 MALE CONTACT: BRASS, GOLD PLATED
- 4 CAP: BRASS, NICKEL PLATED
- 5 INSULATOR: PTFE

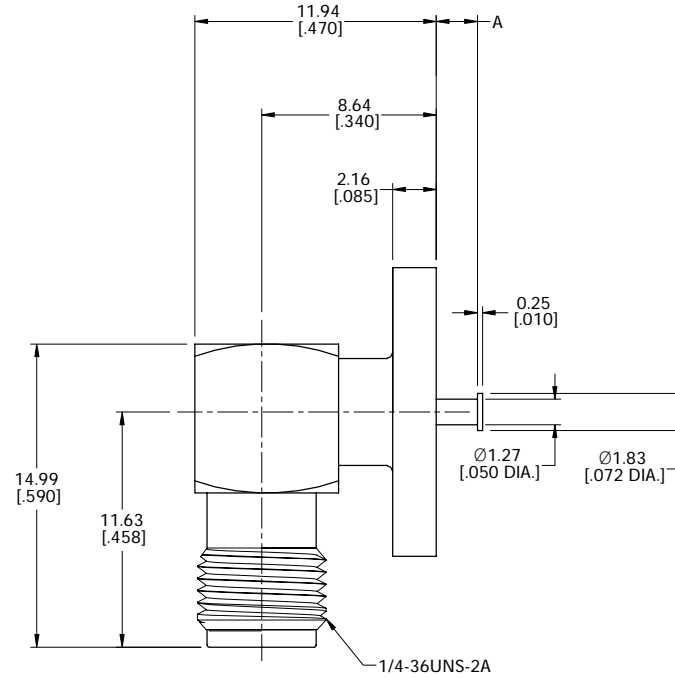
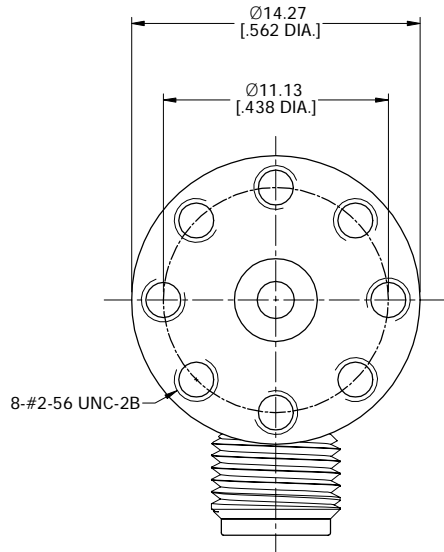
ELECTRICAL DATA:

- 1 IMPEDANCE: 50 Ω
- 2 FREQUENCY RANGE: DC-12.4 GHz

REVISIONS			
REV.	DESCRIPTION	DATE	APPROVED
A	INITIAL RELEASE	03/23/23	J. Q

ENVIRONMENTAL DATA:

- 1 TEMPERATURE RANGE: -55°C ~+125°C
- 2 2011/65/EU(RoHS) AND 2015/863/(RoHS): COMPLIANT
- 3 1907/2006/EC(REACH): COMPLIANT

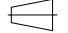



PART NO.	A
ANO 2122-3339	0.79 [0.031]
ANO 2122-3339-1	3.18 [0.125]

DRAWN	X. Y	DATE	03/23/23
CHECKED	W. Y	DATE	03/23/23
APPROVED	J. Q	DATE	03/23/23
UNLESS OTHERWISE SPECIFIED DIMENSIONS ARE IN MILLIMETERS, DIMENSIONS IN [] ARE IN INCHES FOR CUSTOMER REFERENCE ONLY UNLESS OTHERWISE SPECIFIED TOLERANCE ARE:		THESE DRAWINGS AND SPECIFICATIONS ARE THE PROPERTY OF ANOISON ELECTRONICS LTD AND SHOULD NOT BE USED WITHOUT WRITTEN PERMISSION COPYRIGHT © 2023 ANOISON ELECTRONICS LTD	
XX	±0.13 [0.005"]		
X	±0.20 [0.008"]		
X	±0.50 [0.019"]		
X°	±1°		
X"	±2°		



TITLE
SMA RIGHT ANGLE FEMALE SURFACE MOUNT RECEPTACLE

VIEW	PART NO. ANO 2122-3339		
	SIZE A3	SCALE 4:1	SHEET 1/1
	REV. A		

4

3

2

1