

MATERIAL & FINISH:

- 1 BODY: SEE TABLE
- 2 CENTER CONTACT: BERYLLIUM COPPER ALLOY, GOLD PLATED
- 3 INSULATOR: PTFE

ENVIRONMENTAL DATA:

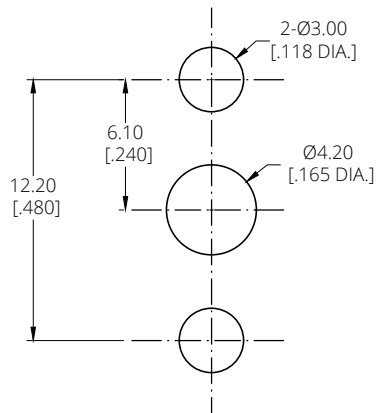
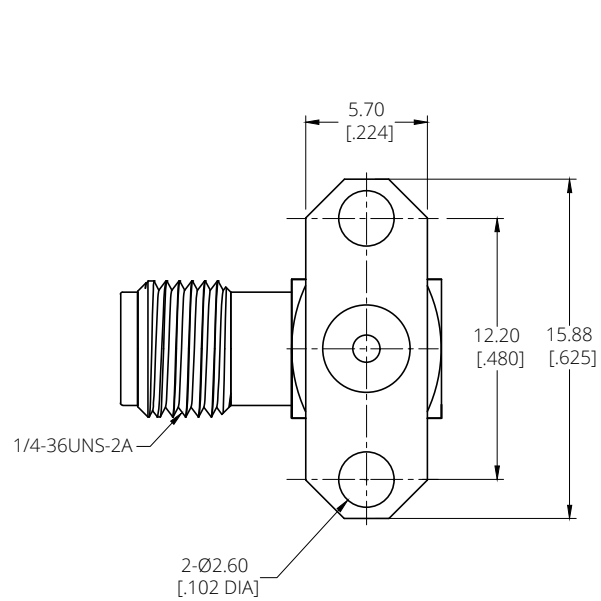
- 1 TEMPERATURE RANGE: -65°C~+165°C
- 2 2011/65/EU(RoHS) AND 2015/863/(RoHS); COMPLIANT
- 3 1999/45/EC(REACH); COMPLIANT

ELECTRICAL SPECIFICATIONS:

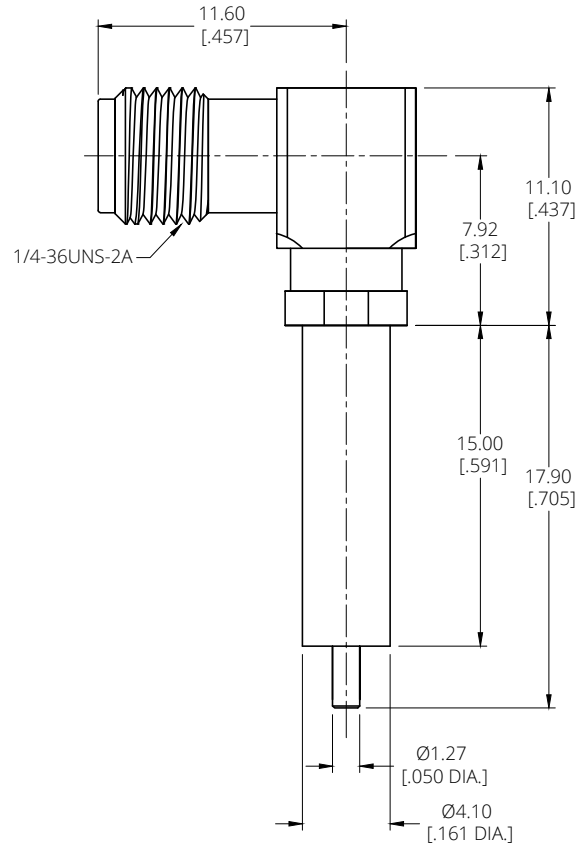
- 1 IMPEDANCE: 50 Ω
- 2 FREQUENCY RANGE: DC~18GHz
- 3 VSWR: ≤1.30

REVISIONS

REV.	DESCRIPTION	DATE	APPROVED
A	INITIAL RELEASE	05/23/12	J. Q
B	DRAWING CHANGED	11/11/22	J. Q
C	DRAWING CHANGED	08/22/25	J. Q



RECOMMENDED MOUNTING HOLE



PART NO.	MATERIAL	FINISH
ANO 2122-3211	STAINLESS STELL	PASSIVATED
ANO 2122-3211A	BRASS	GOLD

DRAWN	Y. H	DATE	08/22/25
CHECKED	L. Y	DATE	08/22/25
APPROVED	J. Q	DATE	08/22/25
UNLESS OTHERWISE SPECIFIED DIMENSIONS ARE IN MILLINMETERS, DIMENSIONS IN [ ] ARE IN INCHES FOR CUSTOMER REFERENCE ONLY UNLESS OTHERWISE SPECIFIED TOLERANCE ARE:		THESE DRAWINGS AND SPECIFICATIONS ARE THE PROPERTY OF ANOISON ELECTRONICS LTD AND SHOULD NOT BE USED WITHOUT WRITTEN PERMISSION COPYRIGHT © 2025 ANOISON ELECTRONICS LTD	
.XX	±0.13 [005"]		
.X	±0.20 [008"]		
X	±0.50 [019"]		
X°	±1°		
X°	±2°		



TITLE  
SMA R/A FEMALE, 2 HOLE .625 FLANGE MOUNT RECEPTACLE

VIEW	PART NO.			
	ANO 2122-3211			
SIZE	SCALE	SHEET	REV.	
A3	4:1	1/1	C	