

4

5

2

1

MATERIAL & FINISH:

- 1 BODY: BRASS, NICKEL PLATED
- 2 CENTER CONTACT: PHOSPHOR BRONZE, GOLD PLATED
- 3 INSULATOR: PTFE
- 4 SCREW CAP: BRASS, NICKEL PLATED
- 5 CRIMP FERRULE: COPPER, NICKEL PLATED

ELECTRICAL DATA:

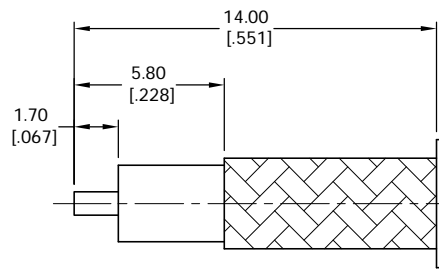
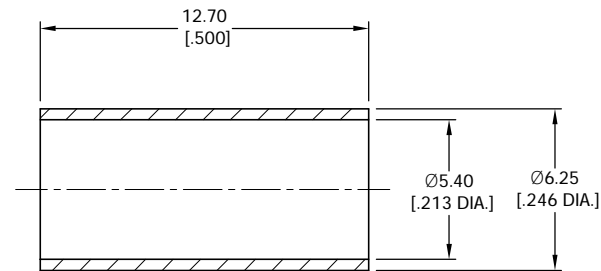
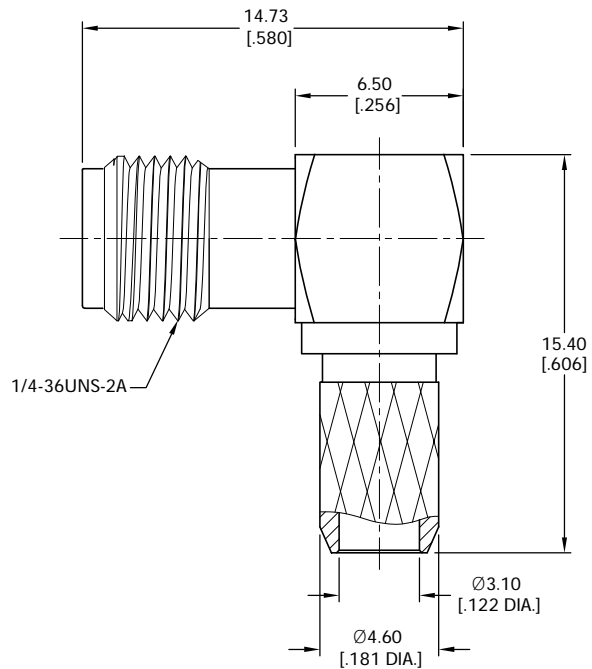
- 1 IMPEDANCE: 50 Ω
- 2 FREQUENCY RANGE: DC-6 GHz

ENVIRONMENTAL DATA:

- 1 TEMPERATURE RANGE: -55°C ~ +125°C
- 2 2011/65/EU(RoHS) AND 2015/863/(RoHS): COMPLIANT
- 3 REACH SVHC247: COMPLIANT

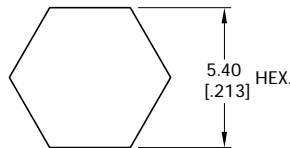
REVISIONS

REV.	DESCRIPTION	DATE	APPROVED
A	INITIAL RELEASE	07/15/25	J. Q



CABLE STRIPPING DIMENSIONS

HEX. CRIMP TOOL

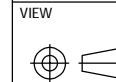


CRIMP WIDTH: 10 [0.394]

DRAWN	X. Y	DATE	07/15/25
CHECKED	W. Y	DATE	07/15/25
APPROVED	J. Q	DATE	07/15/25
UNLESS OTHERWISE SPECIFIED DIMENSIONS ARE IN MILLIMETERS. DIMENSIONS IN [] ARE IN INCHES FOR CUSTOMER REFERENCE ONLY UNLESS OTHERWISE SPECIFIED TOLERANCE ARE:		THESE DRAWINGS AND SPECIFICATIONS ARE THE PROPERTY OF ANOISON ELECTRONICS LTD AND SHOULD NOT BE USED WITHOUT WRITTEN PERMISSION COPYRIGHT © 2025 ANOISON ELECTRONICS LTD	
.XX	±0.13 [0.005"]		
.X	±0.20 [0.008"]		
X	±0.50 [0.019"]		
.X°	±1°		
X°	±2°		



TITLE
SMA RIGHT ANGLE FEMALE CRIMP FOR LMR195/RG58 CABLE



PART NO. ANO 2122-2762			
SIZE A3	SCALE 5:1	SHEET 1/1	REV. A

4

3

2

1

D

D

C

C

B

B

A

A