

MATERIAL & FINISH:

- 1 BODY: BRASS, GOLD PLATED
- 2 CENTER CONTACT: BERYLLIUM COPPER ALLOY, GOLD PLATED
- 3 INSULATOR: PTFE
- 4 COUPLING NUT: STAINLESS STEEL, PASSIVATED
- 5 RETAINING RING: BERYLLIUM COPPER ALLOY, NICKEL PLATED

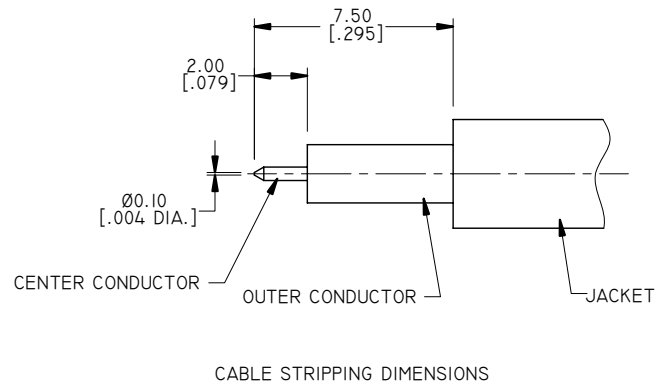
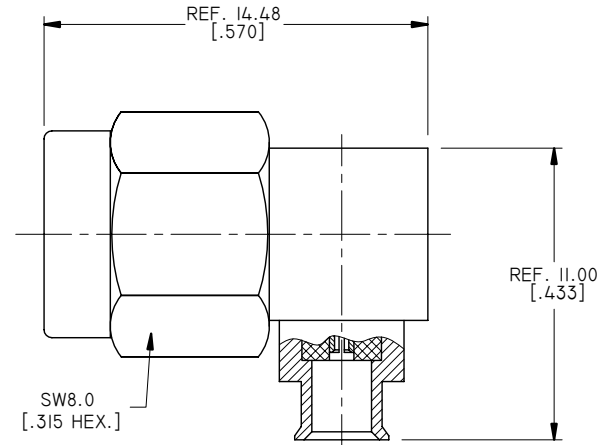
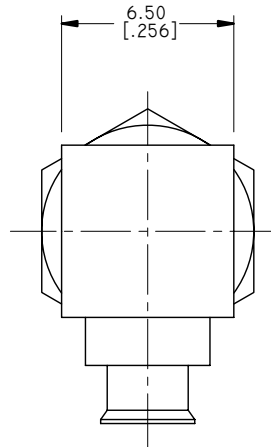
ENVIRONMENTAL DATA:

- 1 TEMPERATURE RANGE: -40°C~+125°C
- 2 2011/65/EU (RoHS): COMPLIANT

ELECTRICAL DATA:

- 1 IMPEDANCE: 50 Ω
- 2 FREQUENCY RANGE: DC~26.5 GHZ
- 3 VSWR: 1.35 MAX. AT DC~18 GHZ

| REVISIONS | | | |
|-----------|-----------------|----------|----------|
| REV. | DESCRIPTION | DATE | APPROVED |
| A | INITIAL RELEASE | 03/22/16 | J. QU |



| | | | |
|---|----------------|--|----------|
| DRAWN | X. B. YANG | DATE | 03/22/16 |
| CHECKED | L. YANG | DATE | 03/22/16 |
| APPROVED | J. QU | DATE | 03/22/16 |
| UNLESS OTHERWISE SPECIFIED DIMENSIONS ARE IN MILLIMETERS. DIMENSIONS IN [] ARE IN INCHES FOR CUSTOMER REFERENCE ONLY UNLESS OTHERWISE SPECIFIED TOLERANCE ARE: | | THESE DRAWINGS AND SPECIFICATIONS ARE THE PROPERTY OF ANOISON ELECTRONICS LTD AND SHOULD NOT BE USED WITHOUT WRITTEN PERMISSION COPYRIGHT © 2016 ANOISON ELECTRONICS LTD | |
| .XX | ±0.13 [0.005"] | | |
| .X | ±0.20 [0.008"] | | |
| X | ±0.50 [0.019"] | | |
| .X° | ±1° | | |
| X° | ±2° | | |



| | | | |
|---|-------|---------------|------|
| TITLE | | | |
| SMA RIGHT ANGLE MALE SOLDER FOR .086 CABLE CAPTIVATED CONTACT | | | |
| VIEW | | PART NO. | |
| | | ANO 2121-2328 | |
| SIZE | SCALE | SHEET | REV. |
| A3 | 5:1 | 1/1 | A |