

MATERIAL & FINISH:

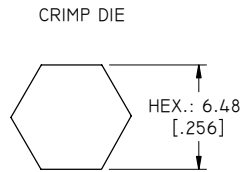
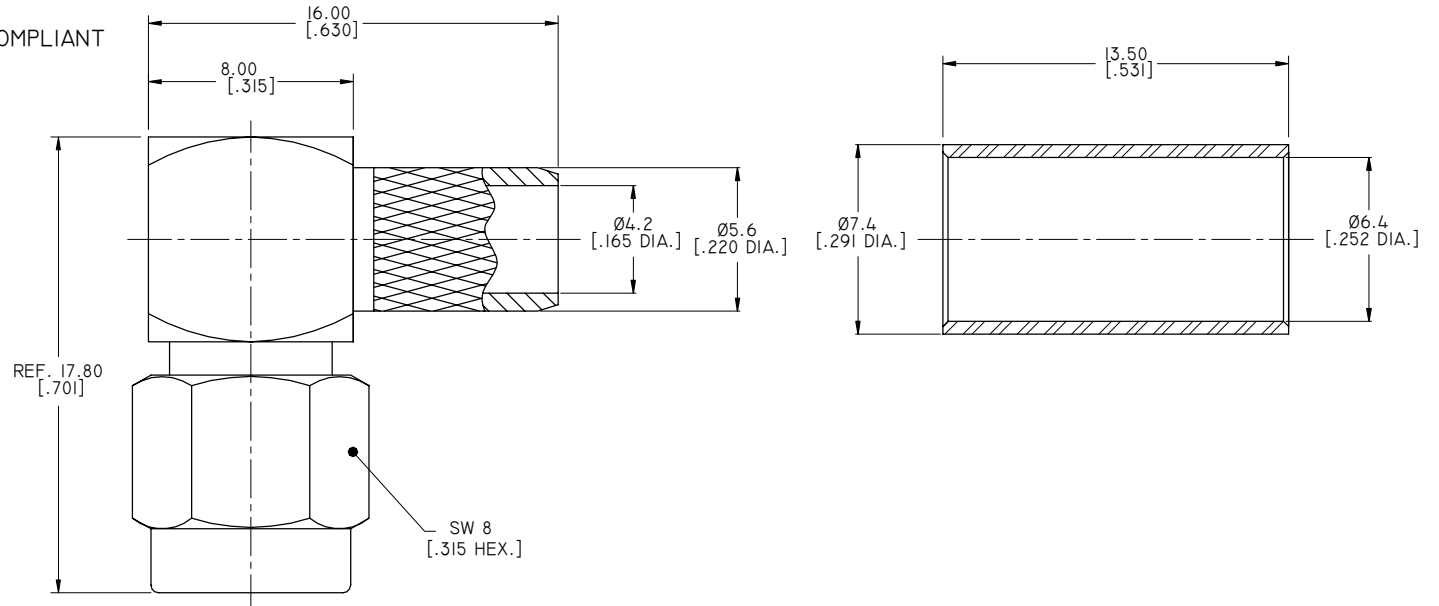
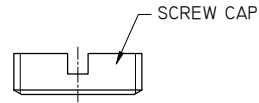
1. BODY: BRASS, ALBALOY PLATED
2. CENTER CONTACT: BRASS, GOLD PLATED
3. COUPLING NUT: BRASS, ALBALOY PLATED
4. CRIMP FERRULE: COPPER, NICKEL PLATED
5. SCREW CAP: BRASS, ALBALOY PLATED
6. INSULATOR: PTFE
7. GASKET: SILICONE RUBBER

ENVIRONMENTAL DATA:

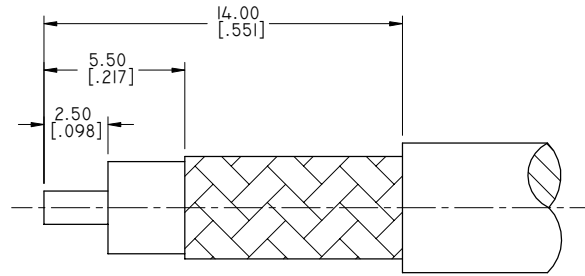
1. TEMPERATURE RANGE: -55°C~+125°C
2. 2011/65/EU(RoHS) AND 2015/863/(RoHS): COMPLIANT
3. 1907/2006/EC(REACH): COMPLIANT

ELECTRICAL DATA:

1. IMPEDANCE: 50 Ω
2. FREQUENCY RANGE: DC~6GHZ
3. VSWR: 1.40 MAX.



WIDTH: 11.00 [.433]



CABLE STRIPPING DIMENSIONS

REVISIONS			
REV.	DESCRIPTION	DATE	APPROVED
D	OUTLINE DRAWING CHANGED	02/09/15	J. Q
E	DRAWING FORMAT CHANGED	07/24/17	J. Q
F	CAP CHANGED TO SCREW CAP	02/28/25	J. Q

DRAWN	P. C	DATE	02/28/25
CHECKED	L. Y	DATE	02/28/25
APPROVED	J. Q	DATE	02/28/25



UNLESS OTHERWISE SPECIFIED DIMENSIONS ARE IN MILLIMETERS, DIMENSIONS IN [] ARE IN INCHES FOR CUSTOMER REFERENCE ONLY UNLESS OTHERWISE SPECIFIED TOLERANCE ARE:

.XX	±0.13 [.005"]
.X	±0.20 [.008"]
X	±0.50 [.019"]
.X°	±1°
X°	±2°

THESE DRAWINGS AND SPECIFICATIONS ARE THE PROPERTY OF ANOISON ELECTRONICS LTD AND SHOULD NOT BE USED WITHOUT WRITTEN PERMISSION
COPYRIGHT © 2025 ANOISON ELECTRONICS LTD

TITLE
SMA RIGHT ANGLE MALE CRIMP FOR LMR240 CABLE

VIEW	PART NO. ANO 2121-2007		
	SIZE A3	SCALE 5:1	SHEET 1/1
		REV. F	