

4

3

2

1

MATERIAL & FINISH:

- 1 BODY: SEE TABLE
- 2 COUPLING NUT: SEE TABLE
- 3 CENTER CONTACT: BRASS, GOLD PLATED
- 4 CRIMP FERRULE: COPPER, NICKEL PLATED
- 5 RETINING RING: BERYLLIUM COPPER, NICKEL PLATED
- 6 INSULATOR: PTFE
- 7 GASKET: MVQ (SILICONE RUBBER)

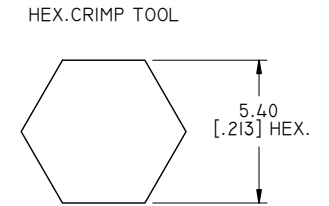
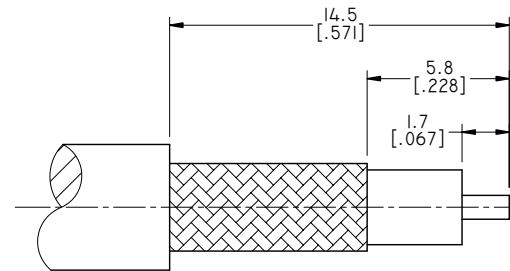
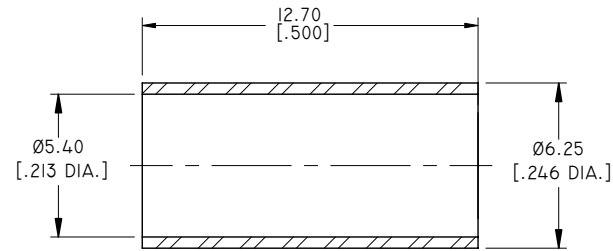
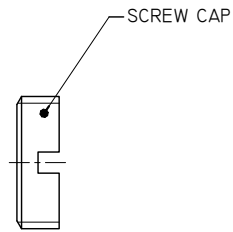
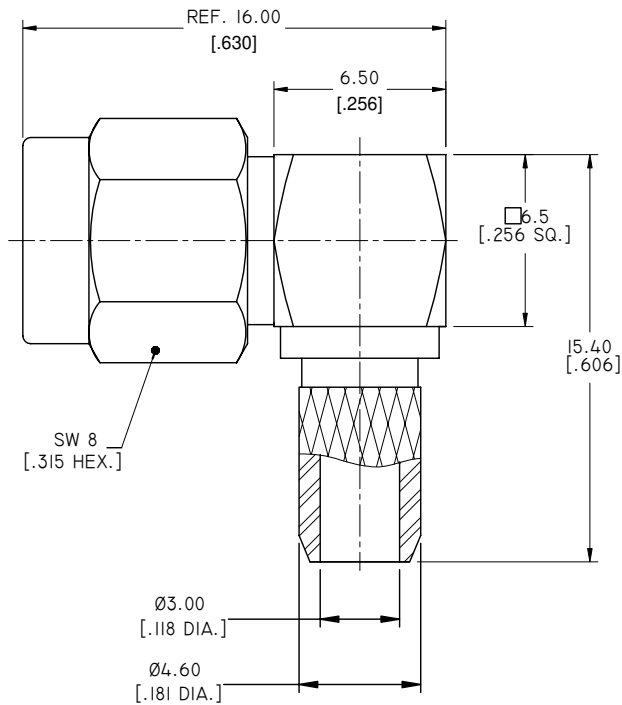
ELECTRICAL DATA:

- 1 IMPEDANCE: 50 Ω
- 2 FREQUENCY RANGE: DC~6 GHZ
- 3 VSWR: 1.25 MAX.

ENVIRONMENTAL DATA:

- 1 TEMPERATURE RANGE: -55°C~+125°C
- 2 2011/65/EU (RoHS): COMPLIANT

REVISIONS			
REV.	DESCRIPTION	DATE	APPROVED
D	FINISH CHANGED	07/11/12	J. QU
E	ADDED TABLE	08/10/16	J. QU
F	ADDED P/N	10/13/16	J. QU



CABLE STRIPPING DIMENSIONS

CRIMP WIDTH:10 [.394]

PART	MATERIAL	FINISH	PART NUMBER
BODY	BRASS	NICKEL	ANO 2121-2004
COUPLING NUT	BRASS	NICKEL	
BODY	STAINLESS STEEL	PASSIVATED	ANO 2121-2004-1
COUPLING NUT	STAINLESS STEEL	PASSIVATED	
BODY	BRASS	GOLD	ANO 2121-2004-2
COUPLING NUT	BRASS	GOLD	
BODY	BRASS	NICKEL	ANO 2121-2004-3
COUPLING NUT	BRASS	GOLD	
BODY	BRASS	ALBALOY	ANO 2121-2004-4
COUPLING NUT	BRASS	ALBALOY	

DRAWN	P. CHEN	DATE	10/13/16
CHECKED	L. YANG	DATE	10/13/16
APPROVED	J. QU	DATE	10/13/16
UNLESS OTHERWISE SPECIFIED DIMENSIONS ARE IN MILLIMETERS, DIMENSIONS IN [] ARE IN INCHES FOR CUSTOMER REFERENCE ONLY UNLESS OTHERWISE SPECIFIED TOLERANCE ARE:		THESE DRAWINGS AND SPECIFICATIONS ARE THE PROPERTY OF ANOISON ELECTRONICS LTD AND SHOULD NOT BE USED WITHOUT WRITTEN PERMISSION COPYRIGHT © 2016 ANOISON ELECTRONICS LTD	
.XX	±0.13 [.005"]		
X	±0.20 [.008"]		
X	±0.50 [.019"]		
X°	±1°		
X°	±2°		

ANOISON
...we create connection for technologies

TITLE: SMA R/A MALE CRIMP FOR LMRI95/RG58 CABLE

VIEW:

PART NO. ANO 2121-2004

SIZE	SCALE	SHEET	REV.
A3	5:1	I/1	F

4

3

2

1