

4

3

2

1

MATERIAL & FINISH:

- 1 CENTER CONTACT: PHOSPHOR BRONZE, GOLD PLATED
- 2 OUTER CONTACT: BRASS, NICKEL&GOLD PLATED
- 3 INSULATOR: PTFE

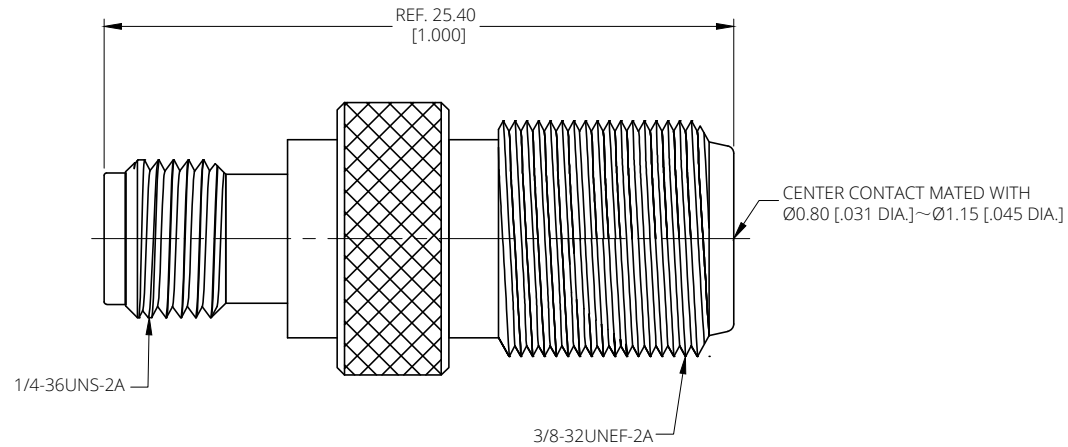
ELECTRICAL DATA:

- 1 IMPEDANCE: 50 Ω-75Ω
- 2 FREQUENCY RANGE: DC~ 1.0 GHz

REVISIONS			
REV.	DESCRIPTION	DATE	APPROVED
A	INITIAL RELEASE	03/03/25	J. Q

ENVIRONMENTAL DATA:

- 1 TEMPERATURE RANGE: -45°C~+125°C
- 2 2011/65/EU(RoHS) AND 2015/863/(RoHS): COMPLIANT
- 3 1999/2006/EC(REACH): COMPLIANT



DRAWN	Y. H	DATE	03/03/25
CHECKED	L. Y	DATE	03/03/25
APPROVED	J. Q	DATE	03/03/25
UNLESS OTHERWISE SPECIFIED DIMENSIONS ARE IN MILLIMETERS, DIMENSIONS IN [] ARE IN INCHES FOR CUSTOMER REFERENCE ONLY UNLESS OTHERWISE SPECIFIED TOLERANCE ARE:		THESE DRAWINGS AND SPECIFICATIONS ARE THE PROPERTY OF ANOISON ELECTRONICS LTD AND SHOULD NOT BE USED WITHOUT WRITTEN PERMISSION COPYRIGHT © 2025 ANOISON ELECTRONICS LTD	
XX	±0.13 [0.005"]		
X	±0.20 [0.008"]		
X	±0.50 [0.019"]		
X°	±1°		
X"	±2°		



TITLE			
ADAPTER, SMA 50Ω FEMALE TO F 75Ω FEMALE (ACCEPT Ø0.80-Ø1.15MM MALE PIN.)			
VIEW		PART NO.	
		ANO 212-972-1697	
SIZE	SCALE	SHEET	REV.
A3	5:1	1/1	A

4

3

2

1