

4

3

2

1

MATERIAL & FINISH

1.0 MATERIAL & FINISH

- 1.1 BODY1: STAINLESS STEEL,PASSIVATED
- 1.2 BODY2: BERYLLIUM COPPER ALLOY, GOLD PLATED
- 1.3 CENTER CONTACT: BERYLLIUM COPPER ALLOY, GOLD PLATED
- 1.4 INSULATOR: PTFE

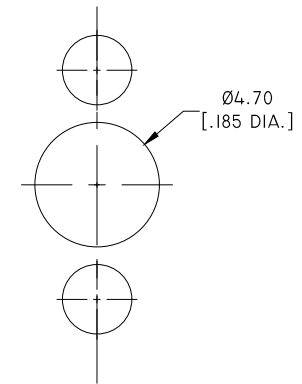
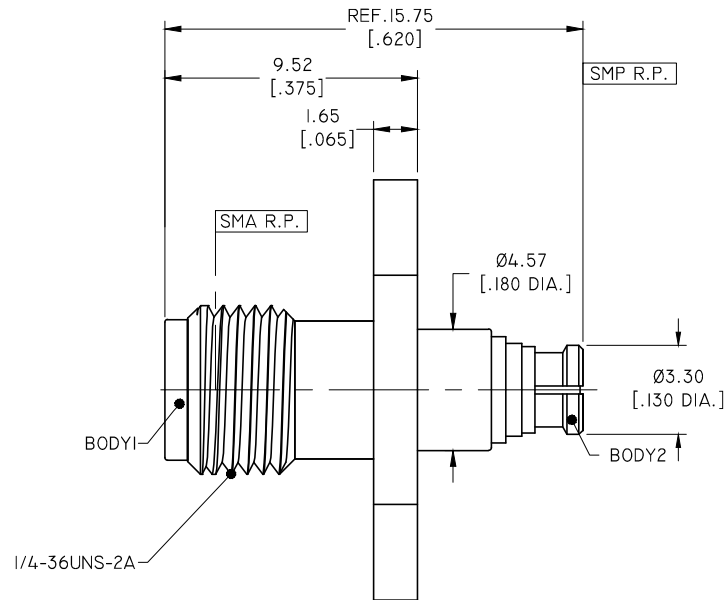
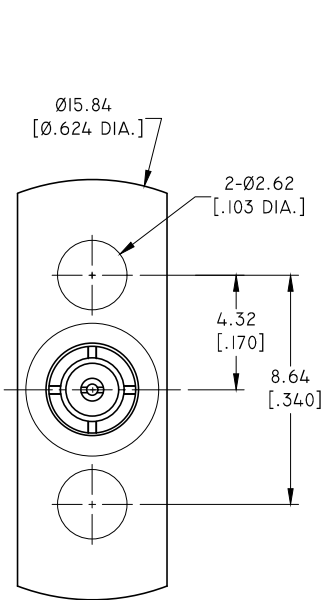
ENVIRONMENTAL DATA:

- 1 TEMPERATURE RANGE: -65°C~+165°C
- 2 2011/65/EU(RoHS) AND 2015/863/(RoHS): COMPLIANT
- 3 1907/2006/EC(REACH) AND 1999/45/EC(REACH): COMPLIANT

ELECTRICAL DATA:

- 1 IMPEDANCE: 50 OHMS
- 2 FREQUENCY RANGE: DC-18 GHZ

REVISIONS			
REV.	DESCRIPTION	DATE	APPROVED
A	INITIAL RELEASE	12/04/19	J. QU



RECOMMENDED MOUNTING HOLE

DRAWN	W. YANG	DATE	12/04/19
CHECKED	L. YANG	DATE	12/04/19
APPROVED	J. QU	DATE	12/04/19
UNLESS OTHERWISE SPECIFIED DIMENSIONS ARE IN MILLIMETERS. DIMENSIONS IN [] ARE IN INCHES FOR CUSTOMER REFERENCE ONLY UNLESS OTHERWISE SPECIFIED TOLERANCE ARE:		THESE DRAWINGS AND SPECIFICATIONS ARE THE PROPERTY OF ANOISON ELECTRONICS LTD AND SHOULD NOT BE USED WITHOUT WRITTEN PERMISSION COPYRIGHT © 2019 ANOISON ELECTRONICS LTD	
.XX	±0.13 [.005"		
.X	±0.20 [.008"		
X	±0.50 [.019"		
.X°	±1°		
X°	±2°		



TITLE			
ADAPTER, SMA FEMALE 2 HOLE FLANGE MOUNT TO SMP FEMALE			
VIEW		PART NO.	
		ANO 212-932-1519	
SIZE	SCALE	SHEET	REV.
A3	5:1	1/1	A

4

3

2

1