

4 3 2 1

**MATERIAL & FINISH:**

- 1 BODY: STAINLESS STEEL, PASSIVATED
- 2 CENTER CONTACT: BERYLLIUM COPPER ALLOY, GOLD PLATED
- 3 INSULATOR: PTFE

**ENVIRONMENTAL DATA:**

- 1 TEMPERATURE RANGE: -65°C~+165°C
- 2 2011/65/EU (RoHS): COMPLIANT

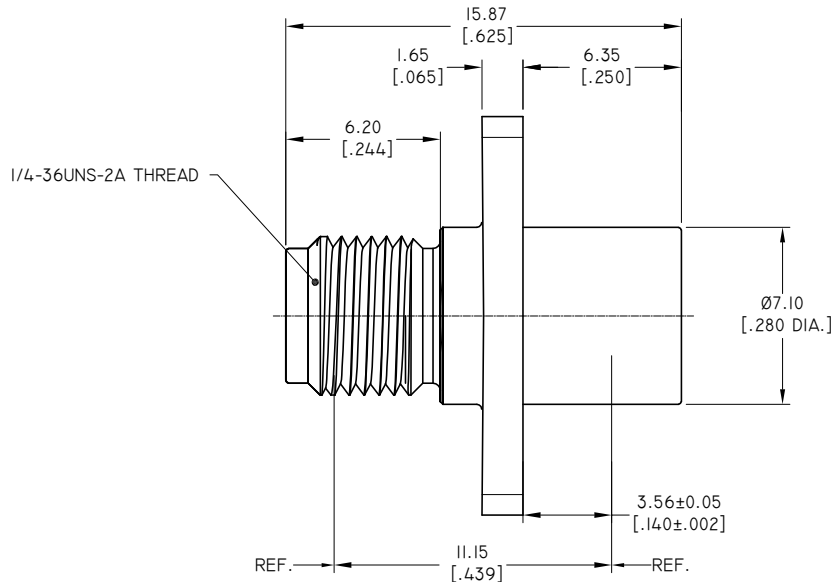
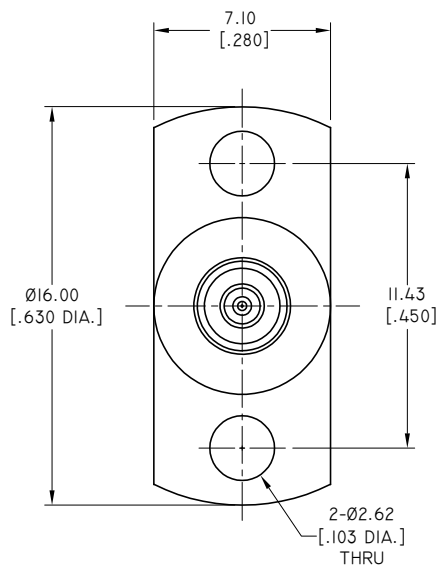
**ELECTRICAL DATA:**

- 1 IMPEDANCE: 50 Ω
- 2 FREQUENCY RANGE: DC~26.5 GHz
- 3 VSWR: 1.25 MAX. @ DC~18 GHz  
1.30 MAX. @ 18~26.5 GHz
- 4 INSERTION LOSS: 0.12x√F(GHZ) DB MAX.
- 5 VOLTAGE ARTING: 335 VEFF MAX.
- 6 DIELECTRIC WITHSTANDING VOLTAGE: 500 VEFF MIN.
- 7 INSULATION RESISTANCE: 5000 MΩ MIN.

**MECHANICAL DATA:**

- 1 CENTER CONTACT RETENTION  
AXIAL FORCE--MATING END: 6.8 N MIN.  
AXIAL FORCE--OPPOSITE END: 6.8 N MIN.
- 2 MATING LIFE: 100 CYCLES MIN.

REVISIONS			
REV.	DESCRIPTION	DATE	APPROVED
A	INITIAL RELEASE	04/17/23	J. Q



P/N	TYPE
ANO 212-931-1629-1	FULL DETENT
ANO 212-931-1629-2	LIMITED DETENT
ANO 212-931-1629-3	SMOOTH BORE

DRAWN	W. Y	DATE	04/17/23
CHECKED	X. Y	DATE	04/17/23
APPROVED	J. Q	DATE	04/17/23
UNLESS OTHERWISE SPECIFIED DIMENSIONS ARE IN MILLIMETERS, DIMENSIONS IN [ ] ARE IN INCHES FOR CUSTOMER REFERENCE ONLY UNLESS OTHERWISE SPECIFIED TOLERANCE ARE:		THESE DRAWINGS AND SPECIFICATIONS ARE THE PROPERTY OF ANOISON ELECTRONICS LTD AND SHOULD NOT BE USED WITHOUT WRITTEN PERMISSION COPYRIGHT © 2023 ANOISON ELECTRONICS LTD	
.XX	±0.13 [ .005"		
.X	±0.20 [ .008"		
X	±0.50 [ .019"		
.X°	±1°		
X°	±2°		



TITLE			
ADAPTER SMA FEMALE 2 HOLE FLANGE MOUNT TO SMP MALE			
VIEW	PART NO.		
	ANO 212-931-1629		
SIZE	SCALE	SHEET	REV.
A3	5:1	1/1	A

4 3 2 1