

MATERIAL & FINISH:

- 1 BODY : STAINLESS STEEL, PASSIVATED
- 2 CENTER CONTACT: BERYLLIUM COPPER ALLOY, GOLD PLATED
- 3 INSULATOR: PTFE
- 4 FASTENING NUT: STAINLESS STEEL, PASSIVATED
- 5 LOCKWASHER: STAINLESS STEEL, PASSIVATED
- 6 O-RING: SILICONE RUBBER

ENVIRONMENTAL DATA:

- 1 TEMPERATURE RANGE: -55°C ~ +125°C
- 2 2011/65/EU(RoHS) AND 2015/863/(RoHS): COMPLIANT
- 3 1907/2006/EC(REACH): COMPLIANT

ELECTRICAL DATA:

- 1 IMPEDANCE: 50 Ω
- 2 FREQUENCY RANGE: DC-26.5 GHz
- 3 VSWR: 1.05 + .005 X FGHz
- 4 INSERTION LOSS: .04 dB X √FGHz
- 5 VOLTAGE RATING: 170 VRMS MAX.
- 6 RF LEAKAGE: -100 dB - FGHz MIN. dB DOWN
- 7 DIELECTRIC WITHSTANDING VOLTAGE: 500 VRMS MAX.
- 8 INSULATION RESISTANCE: 5000 MΩ
- 9 CONTACT RESISTANCE:
CENTER CONTACT: 6.0 mΩ MAX.
OUTER CONTACT: 2.0 mΩ MAX.

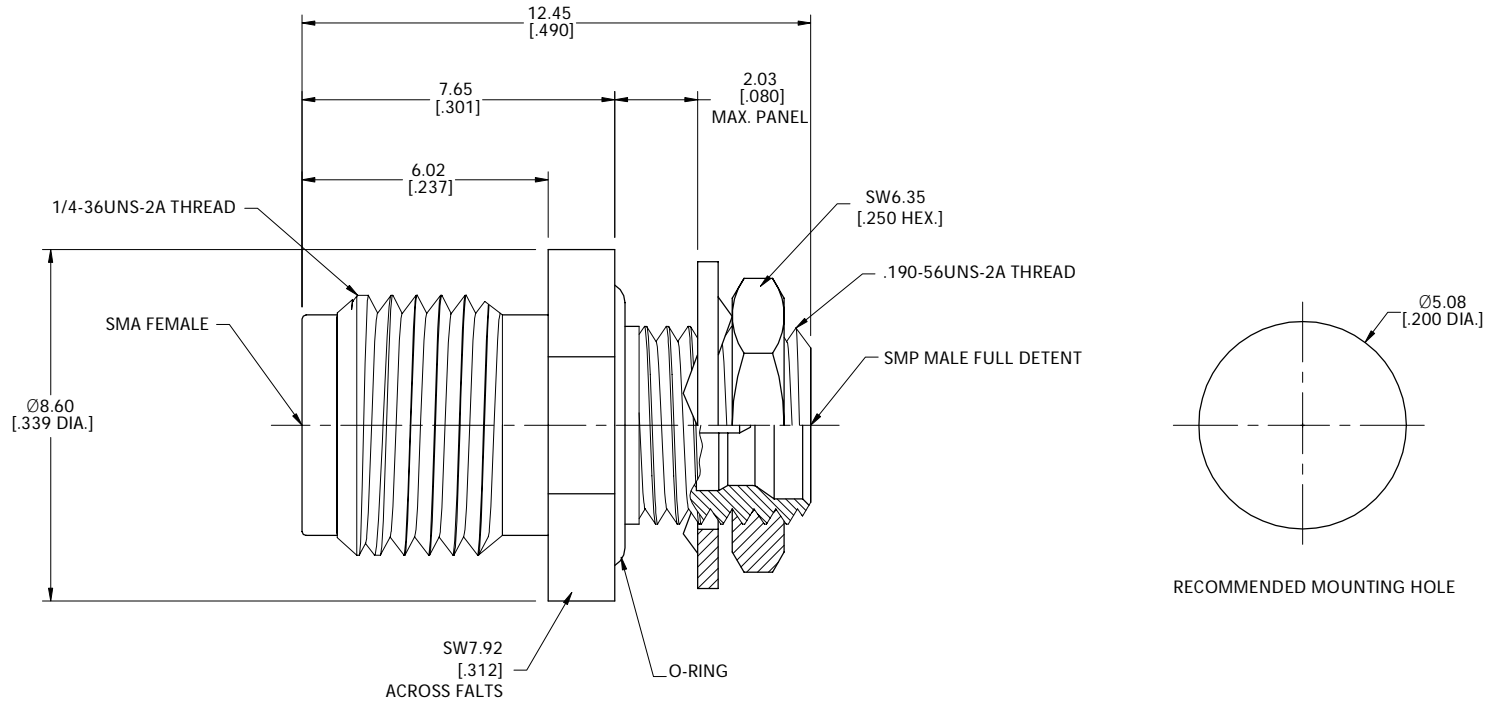
MECHANICAL DATA:

- 1 CAPTIVATION-- CENTER CONTACT:
AXIAL FORCE: 3.5 LBS MAX.
RADIAL TORQUE: N/A MAX.
- 2 CONNECTOR ENGAGEMENT FORCE:
INSERTION: 15.0 LBS. MAX. (FULL DETENT)
WITHDRASAL: 5.0 LBS. MAX. (FULL DETENT)
- 3 CONNECTOR DURABILITY: 100 MIN. CYCLES
- 4 RECOMMENDED MATING TORQUE: 7-10 IN.LBS (SMA)

MAING

- 1 SMA FEMALE: INTERFACE DIMENSIONS PER MIL-STD-348A FIG. 310.2
- 2 SMP FULL DETENT MALE: INTERFACE DIMENSIONS PER MIL-STD-348A FIG. 326.2

REVISIONS			
REV.	DESCRIPTION	DATE	APPROVED
A	INITIAL RELEASE	03/23/23	J. Q



DRAWN	X. Y	DATE	03/23/23
CHECKED	W. Y	DATE	03/23/23
APPROVED	J. Q	DATE	03/23/23

UNLESS OTHERWISE SPECIFIED DIMENSIONS ARE IN MILLIMETERS, DIMENSIONS IN [] ARE IN INCHES FOR CUSTOMER REFERENCE ONLY UNLESS OTHERWISE SPECIFIED

TOLERANCE ARE:

.XX	±0.13 [.005"]
.X	±0.20 [.008"]
X	±0.50 [.019"]
X°	±1°
X"	±2°

THESE DRAWINGS AND SPECIFICATIONS ARE THE PROPERTY OF ANOISON ELECTRONICS LTD AND SHOULD NOT BE USED WITHOUT WRITTEN PERMISSION
COPYRIGHT © 2023 ANOISON ELECTRONICS LTD



TITLE			
ADAPTER, SMA FEMALE TO SMP FULL DETENT BULKHAED WATERPROOF MALE			
VIEW	PART NO.		
	ANO 212-931-1627		
SIZE	SCALE	SHEET	REV.
A3	8:1	1/1	A