

MATERIAL & FINISH:

- 1 BODY: STAINLESS STEEL, PASSIVATED
- 2 CENTER CONTACT: BERYLLIUM COPPER ALLOY, GOLD PLATED
- 3 INSULATOR: PTFE
- 4 O-RING: SILICONE RUBBER

ENVIRONMENTAL DATA:

- 1 TEMPERATURE RANGE: -65 °C~+165 °C
- 2 2011/65/EU(RoHS) AND 2015/863/(RoHS): COMPLIANT
- 3 1907/2006/EC(REACH): COMPLIANT
- 4 DEGREE OF PROTECTION: IP 67

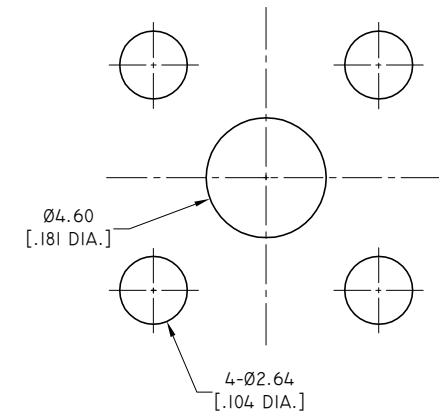
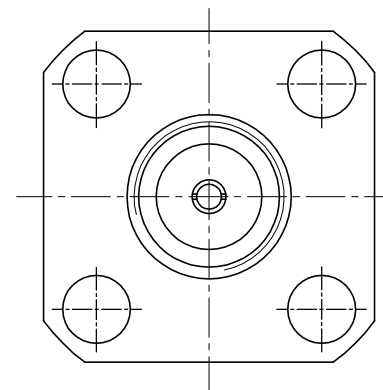
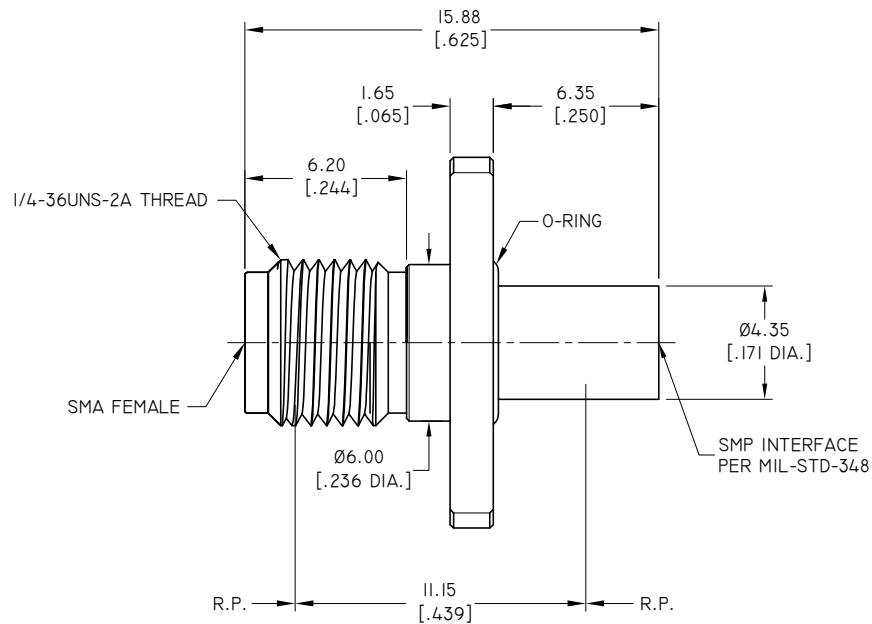
ELECTRICAL DATA:

- 1 IMPEDANCE: 50 Ω
- 2 FREQUENCY RANGE: DC~18 GHz
- 3 VSWR: 1.40 MAX.
- 4 INSERTION LOSS: 0.12x√F(GHZ) DB MAX.
- 5 VOLTAGE ARTING: 335 VEFF MAX.
- 6 DIELECTRIC WITHSTANDING VOLTAGE: 500 VEFF MIN.
- 7 INSULATION RESISTANCE: 5000 MΩ MIN.

MECHANICAL DATA:

- 1 CENTER CONTACT RETENTION
AXIAL FORCE--MATING END: 6.8 N MIN.
AXIAL FORCE--OPPOSITE END: 6.8 N MIN.
- 2 MATING LIFE: 100 CYCLES MIN.

REVISIONS			
REV.	DESCRIPTION	DATE	APPROVED
A	INITIAL RELEASE	03/03/20	J. QU



RECOMMENDED MOUNTING HOLE

PART NO.	TYPE
ANO 212-931-1533	FULL DETENT
ANO 212-931-1533-1	LIMITED DETENT
ANO 212-931-1533-2	SMOOTH BORE

DRAWN	X. B. YANG	DATE	03/03/20
CHECKED	W. YANG	DATE	03/03/20
APPROVED	J. QU	DATE	03/03/20
UNLESS OTHERWISE SPECIFIED DIMENSIONS ARE IN MILLIMETERS, DIMENSIONS IN [] ARE IN INCHES FOR CUSTOMER REFERENCE ONLY UNLESS OTHERWISE SPECIFIED TOLERANCE ARE:		THESE DRAWINGS AND SPECIFICATIONS ARE THE PROPERTY OF ANOISON ELECTRONICS LTD AND SHOULD NOT BE USED WITHOUT WRITTEN PERMISSION COPYRIGHT © 2020 ANOISON ELECTRONICS LTD	
.XX	±0.13 [0.005"]		
.X	±0.20 [0.008"]		
X	±0.50 [0.019"]		
.X°	±1°		
X°	±2°		



TITLE
ADAPTER SMA FEMALE 4 HOLE FLANGE MOUNT TO SMP MALE

VIEW	PART NO. ANO 212-931-1533		
SIZE A3	SCALE 5:1	SHEET 1/1	REV. A