

4

3

2

1

**MATERIAL & FINISH:**

- 1 BODY: STAINLESS STEEL, PASSIVATED
- 2 CENTER CONTACT: BERYLLIUM COPPER ALLOY, GOLD PLATED
- 3 INSULATOR: PTFE

**ENVIRONMENTAL DATA:**

- 1 TEMPERATURE RANGE: -65 °C~+165 °C
- 2 2011/65/EU(RoHS) AND 2015/863/(RoHS): COMPLIANT
- 3 1999/45/EC(REACH): COMPLIANT

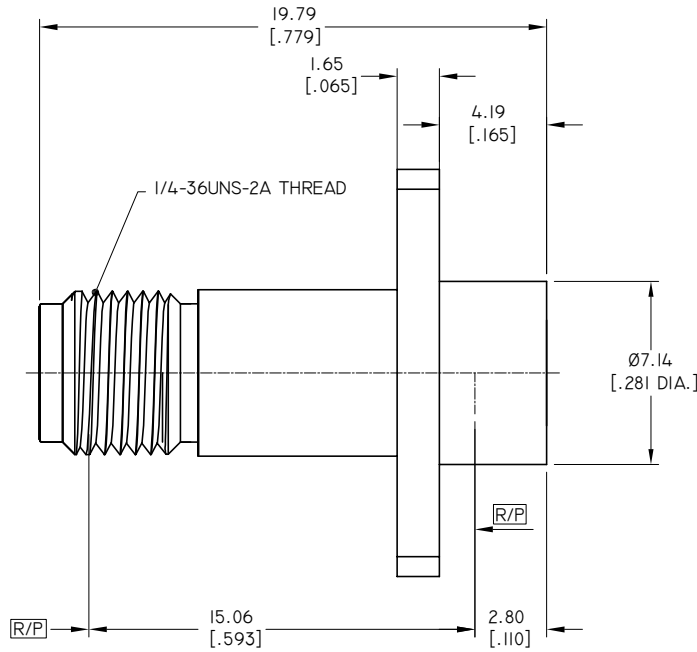
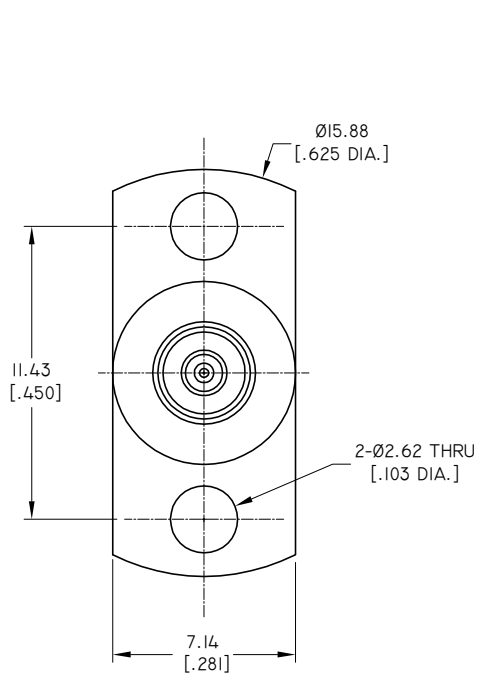
REVISIONS			
REV.	DESCRIPTION	DATE	APPROVED
A	INITIAL RELEASE	02/13/20	J. QU

**ELECTRICAL DATA:**

- 1 IMPEDANCE: 50 Ω
- 2 FREQUENCY RANGE: DC~18 GHZ
- 3 VSWR: 1.40 MAX.
- 4 INSERTION LOSS: 0.12x √F(GHZ) DB MAX.
- 5 VOLTAGE ARTING: 335 VEFF MAX.
- 6 DIELECTRIC WITHSTANDING VOLTAGE: 500 VEFF MIN.
- 7 INSULATION RESISTANCE: 5000 MΩ MIN.

**MECHANICAL DATA:**

- 1 CENTER CONTACT RETENTION  
AXIAL FORCE--MATING END: 6.8 N MIN.  
AXIAL FORCE--OPPOSITE END: 6.8 N MIN.
- 2 MATING LIFE: 100 CYCLES MIN.



P/N	TYPE
ANO 212-931-I531-1	FULL DETENT
ANO 212-931-I531-2	LIMITED DETENT
ANO 212-931-I531-3	SMOOTH BORE

DRAWN	P. CHEN	DATE	02/13/20
CHECKED	X. B. YANG	DATE	02/13/20
APPROVED	J. QU	DATE	02/13/20
UNLESS OTHERWISE SPECIFIED DIMENSIONS ARE IN MILLINETERS, DIMENSIONS IN [ ] ARE IN INCHES FOR CUSTOMER REFERENCE ONLY UNLESS OTHERWISE SPECIFIED TOLERANCE ARE:		THESE DRAWINGS AND SPECIFICATIONS ARE THE PROPERTY OF ANOISON ELECTRONICS LTD AND SHOULD NOT BE USED WITHOUT WRITTEN PERMISSION COPYRIGHT © 2020 ANOISON ELECTRONICS LTD	
.XX	±0.13 [.005"]		
.X	±0.20 [.008"]		
X	±0.50 [.019"]		
.X°	±1°		
X°	±2°		



TITLE			
ADAPTER SMA FEMALE TO SMP MALE, 2 HOLE FLANGE MOUNT .450"			
VIEW	PART NO.		
	ANO 212-931-I531		
SIZE	SCALE	SHEET	REV.
A3	5:1	1/1	A

4

3

2

1