

1.0 MATERIAL & FINISH:

- 1.1 CENTER CONTACT: BERYLLIUM COPPER ALLOY, GOLD PLATED
- 1.2 INSULATOR: PTFE & PEI
- 1.3 BODY: STAINLESS STEEL, PASSIVATED

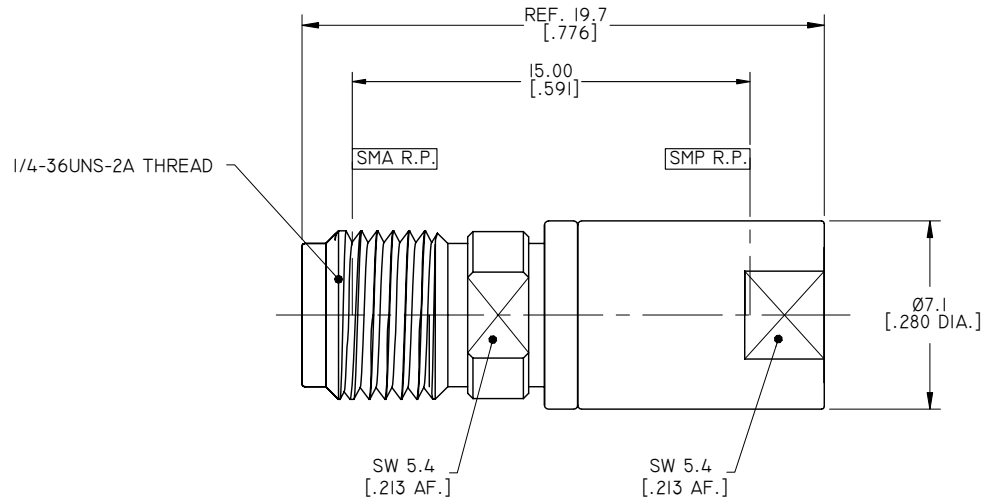
2.0 ENVIRONMENTAL DATA:

- 2.1 TEMPERATURE RANGE: -55°C~+155°C
- 2.2 2011/65/EU (RoHS): COMPLIANT

3.0 ELECTRICAL SPECIFICATIONS:

- 3.1 IMPEDANCE: 50 Ω
- 3.2 FREQUENCY RANGE: DC~26.5GHZ
- 3.3 VSWR: 1.20 MAX. AT DC~18GHZ  
1.35 MAX. AT 18GHZ~26.5GHZ
- 3.4 WORKING VOLTAGE: 480 V RMS

REVISIONS			
REV	DESCRIPTION	DATE	APPROVED
D	CHANGED FREQUENCY RANGE	08/20/15	J. QU
E	STRUCTURAL CHANGED	10/16/15	J. QU
F	STRUCTURAL CHANGED	10/29/15	J. QU



P/N	TYPE
ANO 212-931-I268-1	FULL DETENT
ANO 212-931-I268-2	LIMITED DETENT
ANO 212-931-I268-3	SMOOTH BORE

DRAWN P. CHEN	DATE 10/29/15				
CHECKED X. B. YANG	DATE 10/29/15				
APPROVED J. QU	DATE 10/29/15				
UNLESS OTHERWISE SPECIFIED DIMENSIONS ARE IN MILLIMETERS. DIMENSIONS IN [ ] ARE IN INCHES FOR CUSTOMER REFERENCE ONLY UNLESS OTHERWISE SPECIFIED TOLERANCE ARE: .XX ±0.13 [.005"] .X ±0.20 [.008"] X ±0.50 [.019"] .X° ±1° X° ±2°		THESE DRAWINGS AND SPECIFICATIONS ARE THE PROPERTY OF ANOISON ELECTRONICS LTD AND SHOULD NOT BE USED WITHOUT WRITTEN PERMISSION COPYRIGHT © 2015 ANOISON ELECTRONICS LTD			
		TITLE ADAPTER, SMA FEMALE TO SMP MALE			
		VIEW 		PART NO. ANO 212-931-I268	
		SIZE A3	SCALE 5:1	SHEET 1/1	REV. F