

1.0 MATERIAL & FINISH:

- 1.1 CENTER CONTACT: BERYLLIUM COPPER ALLOY, GOLD PLATED
- 1.2 INSULATOR: PTFE
- 1.3 BODY 1: BRASS, GOLD PLATED
- 1.4 BODY 2: BERYLLIUM COPPER ALLOY, GOLD PLATED

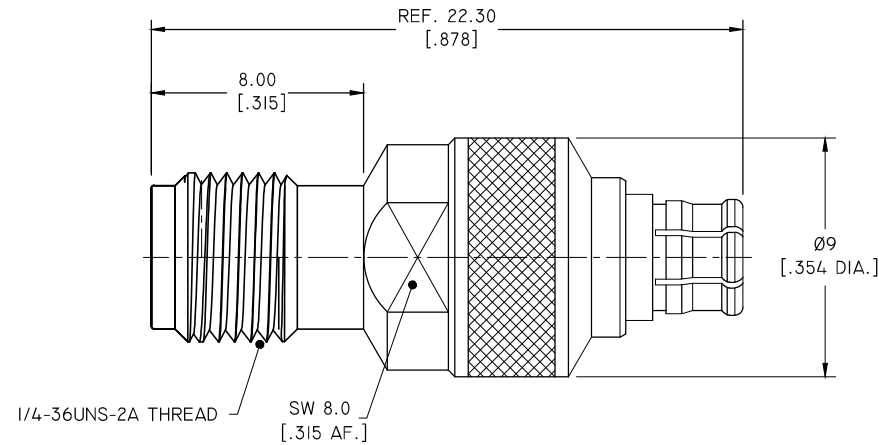
2.0 ENVIRONMENTAL DATA:


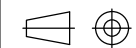
- 2.1 TEMPERATURE RANGE: -55°C~+155°C
- 2.2 2011/65/EU (RoHS): COMPLIANT

3.0 ELECTRICAL SPECIFICATIONS:

- 3.1 IMPEDANCE: 50 Ω
- 3.2 FREQUENCY RANGE: DC~10GHZ
- 3.3 VSWR: 1.04 MAX. AT DC~4GHZ
1.12 MAX. AT 4GHZ~10GHZ
- 3.4 INSERTION LOSS: 0.16 DB MAX. AT DC~10GHZ
- 3.5 INSULATION RESISTANCE: ≥5GΩ
- 3.6 TEST VOLTAGE: 1000V RMS
- 3.7 WORKING VOLTAGE: 480 V RMS
- 3.8 CENTER CONTACT RESISTANCE: 3.0mΩ MAX.
OUTER CONTACT RESISTANCE: 2.0mΩ MAX.
- 3.9 POWER HANDLING (AT 20,SEA LEVEL, VSWR 1.0): 200W MAX. @ 2.2GHZ

REVISIONS			
REV.	DESCRIPTION	DATE	APPROVED
A	INITIAL RELEASE	04/28/18	J. QU



DRAWN	W. YANG	DATE	04/28/18					
CHECKED	X. B. YANG	DATE	04/28/18					
APPROVED	J. QU	DATE	04/28/18					
<small>UNLESS OTHERWISE SPECIFIED DIMENSIONS ARE IN MILLIMETERS. DIMENSIONS IN [] ARE IN INCHES FOR CUSTOMER REFERENCE ONLY UNLESS OTHERWISE SPECIFIED TOLERANCE ARE:</small>				<small>THESE DRAWINGS AND SPECIFICATIONS ARE THE PROPERTY OF ANOISON ELECTRONICS LTD AND SHOULD NOT BE USED WITHOUT WRITTEN PERMISSION COPYRIGHT © 2018 ANOISON ELECTRONICS LTD</small>				
<small>.XX ±0.13 [.005"] .X ±0.20 [.008"] X ±0.50 [.019"] .X° ±1° X° ±2°</small>				TITLE ADAPTER, SMA FEMALE TO PSMP FEMALE				
VIEW		PART NO.		SIZE		SCALE	SHEET	REV.
		ANO 212-922-1455		A3	5:1	1/1	A	