

4 3 2 1

REVISIONS			
REV.	DESCRIPTION	DATE	APPROVED
A	INITIAL RELEASE	01/10/19	J. QU
B	DRAWING CHANGED	08/26/21	J. QU

MATERIAL & FINISH:

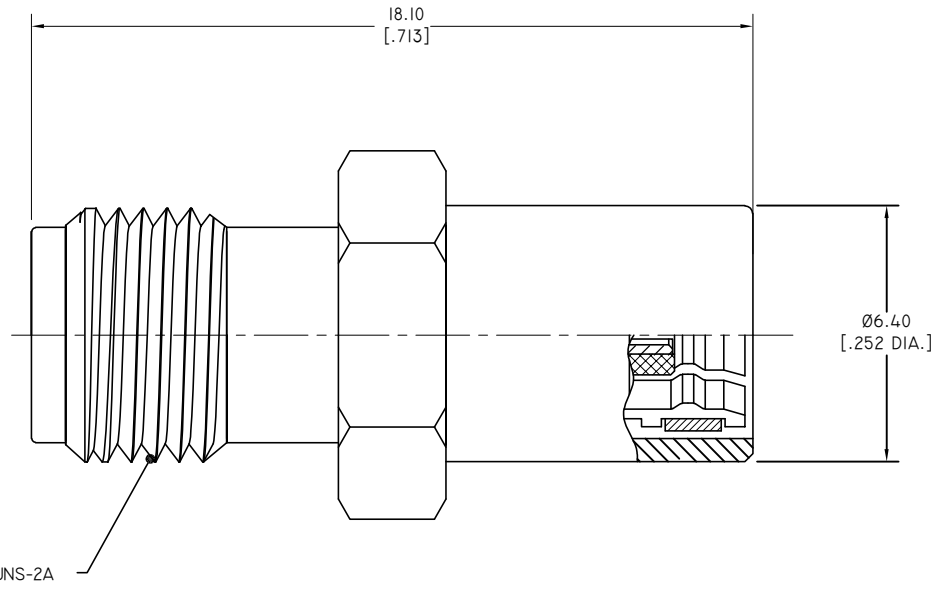
1. BODY: BRASS, GOLD PLATED
2. CENTER CONTACT: PHOSPHOR BRONZE, GOLD PLATED
3. INSULATOR: PTFE

ENVIRONMENTAL DATA:

1. TEMPERATURE RANGE: -55°C~+125°C
2. 2011/65/EU(RoHS) AND 2015/863/(RoHS): COMPLIANT
- 1999/45/EC(REACH): COMPLIANT

ELECTRICAL DATA:


1. IMPEDANCE: 50 Ω
2. FREQUENCY RANGE: DC~4 GHz
3. VSWR: 1.25 MAX.



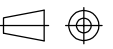
D
C
B
A

D
C
B
A

DRAWN	W. YANG	DATE	08/26/21
CHECKED	X. B. YANG	DATE	08/26/21
APPROVED	J. QU	DATE	08/26/21
UNLESS OTHERWISE SPECIFIED DIMENSIONS ARE IN MILLIMETERS, DIMENSIONS IN [] ARE IN INCHES FOR CUSTOMER REFERENCE ONLY UNLESS OTHERWISE SPECIFIED TOLERANCE ARE:		THESE DRAWINGS AND SPECIFICATIONS ARE THE PROPERTY OF ANOISON ELECTRONICS LTD AND SHOULD NOT BE USED WITHOUT WRITTEN PERMISSION COPYRIGHT © 2019 ANOISON ELECTRONICS LTD	
.XX	±0.13 [0.005"]		
.X	±0.20 [0.008"]		
X	±0.50 [0.019"]		
X°	±1°		
X"	±2°		



TITLE: ADAPTER, SMA FEMALE TO SMB PLUG

VIEW: 

PART NO. ANO 212-451-1477

SIZE	SCALE	SHEET	REV.
A3	8:1	1/1	B

4 3 2 1