

4

3

2

1

MATERIAL & FINISH:

- 1 BODY: BRASS, NICKEL PLATED
- 2 OUTER CONTACT: BERYLLIUM COPPER ALLOY, NICKEL PLATED
- 3 CENTER CONTACT: BERYLLIUM COPPER ALLOY, GOLD PLATED
- 4 INSULATOR: PTFE
- 5 FASTENING NUT: BRASS, NICKEL PLATED
- 6 LOCK WASHER: PHOSPHOR BRONZE, NICKEL PLATED

ENVIRONMENTAL DATA:

- 1 TEMPERATURE RANGE: -55°C~+125°C
- 2 2011/65/EU(RoHS) AND 2015/863/(RoHS): COMPLIANT
- 3 1907/2006/EC(REACH): COMPLIANT

ELECTRICAL DATA:

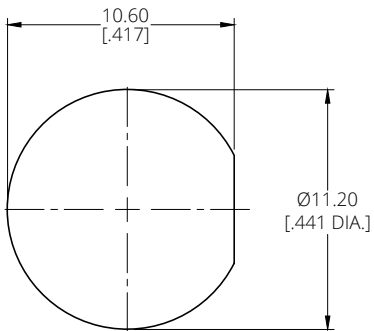
- 1 IMPEDANCE: 50 Ω
- 2 FREQUENCY RANGE: DC~ 11 GHz
- 3 VSWR: 1.30 MAX.
- 4 INSERTION LOSS: 0.30dB MAX.

MECHANICAL DATA:

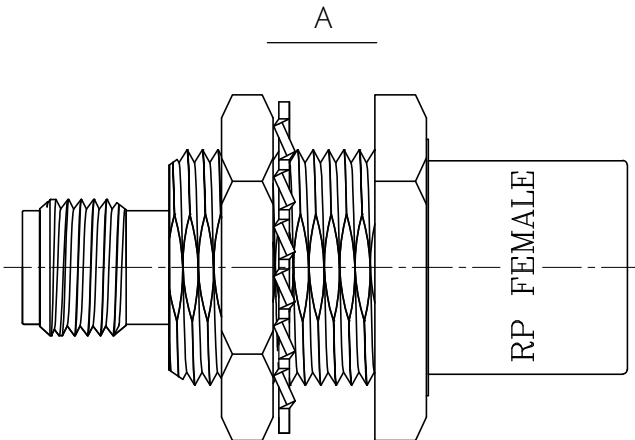
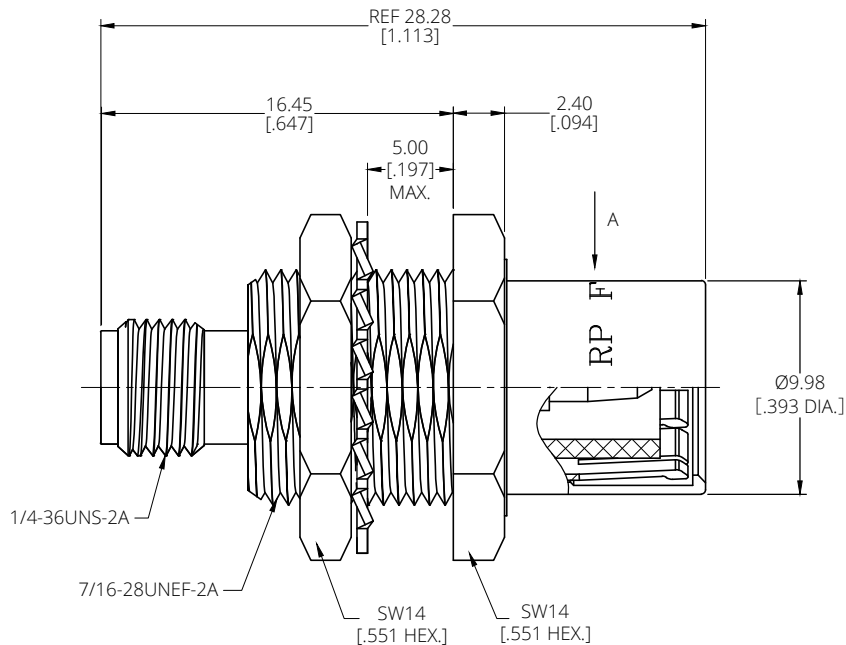
- 1 MATING CYCLE: 1000 MIN.

REVISIONS

REV.	DESCRIPTION	DATE	APPROVED
A	INITIAL RELEASE	07/31/25	J. Q



RECOMMENDED MOUNTING HOLE



DRAWN	Y. H	DATE	07/31/25
CHECKED	W. Y	DATE	07/31/25
APPROVED	J. Q	DATE	07/31/25
UNLESS OTHERWISE SPECIFIED DIMENSIONS ARE IN MILLINMETERS, DIMENSIONS IN [ ] ARE IN INCHES FOR CUSTOMER REFERENCE ONLY UNLESS OTHERWISE SPECIFIED TOLERANCE ARE:		THESE DRAWINGS AND SPECIFICATIONS ARE THE PROPERTY OF ANOISON ELECTRONICS LTD AND SHOULD NOT BE USED WITHOUT WRITTEN PERMISSION COPYRIGHT © 2025 ANOISON ELECTRONICS LTD	
.XX	±0.13 [.005"]		
.X	±0.20 [.008"]		
X	±0.50 [.019"]		
X°	±1°		
X°	±2°		



TITLE ADAPTER, SMA FEMALE TO PUSH-ON RP TNC FEMALE BULKHEAD			
VIEW 		PART NO. ANO 212-334-1710	
SIZE A3	SCALE 4:1	SHEET 1/1	REV. A

4

3

2

1