

MATERIAL & FINISH:

- 1 BODY: BRASS, GOLD PLATED
- 2 OUTER CONTACT 1: BERYLLIUM COPPER ALLOY, GOLD PLATED
- 3 OUTER CONTACT 2: STAINLESS STEEL, PASSIVATED
- 4 CENTER CONTACT: BERYLLIUM COPPER ALLOY, GOLD PLATED
- 5 INSULATOR: PTFE

ELECTRICAL DATA:

- 1 IMPEDANCE: 50 Ω
- 2 FREQUENCY RANGE: DC~ 18 GHz
- 3 VSWR: 1.30 MAX.
- 4 INSERTION LOSS: 0.30dB MAX.

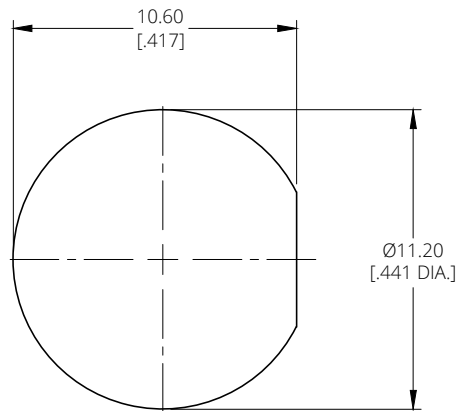
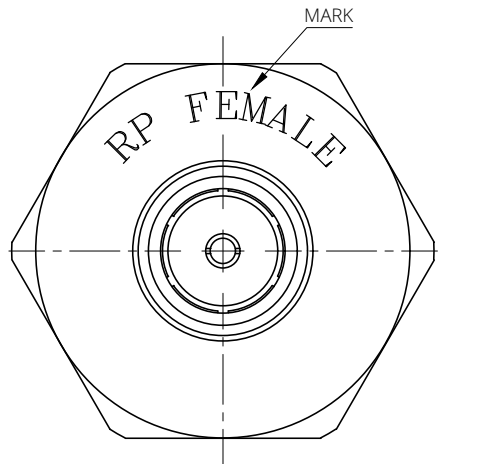
MECHANICAL DATA:

- 1 MATING CYCLE: 1000 MIN.

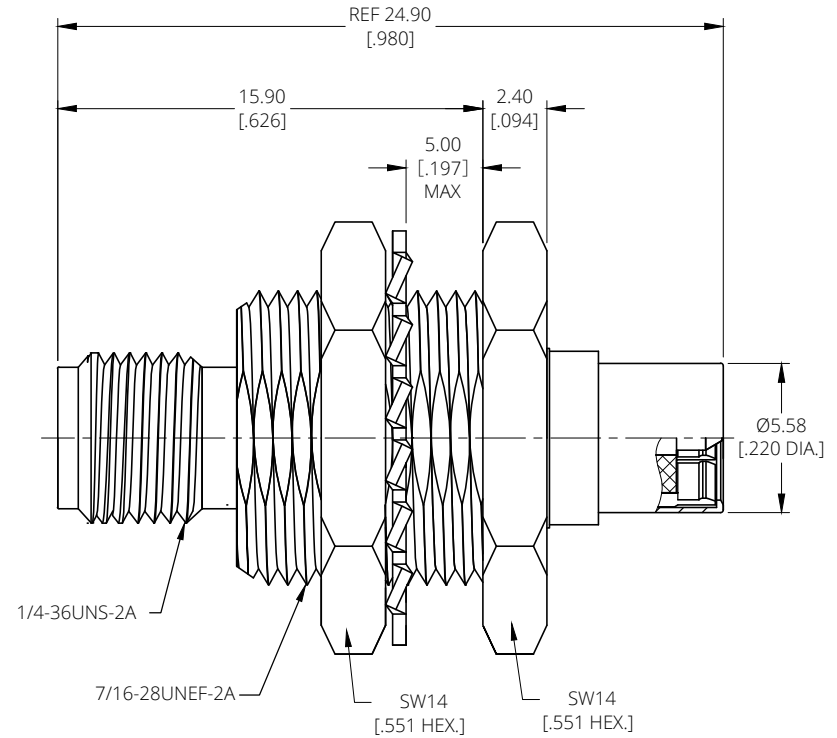
ENVIRONMENTAL DATA:

- 1 TEMPERATURE RANGE: -55°C~+125°C
- 2 2011/65/EU(RoHS) AND 2015/863/(RoHS): COMPLIANT
- 3 1907/2006/EC(REACH): COMPLIANT

REVISIONS			
REV.	DESCRIPTION	DATE	APPROVED
A	INITIAL RELEASE	08/30/24	J. Q
E	ADD OUTER CONTACT 2	04/27/25	J. Q
F	AMENDED PART NO. 212-214-1684 WAS 212-204-1684	06/25/25	J. Q
G	CHANGED Ø6.58 WAS Ø6.65 ADD 'RP FEMALE' MARK	07/28/25	J. Q



RECOMMENDED MOUNTING HOLE



DRAWN	Y. H	DATE	07/28/25
CHECKED	L. Y	DATE	07/28/25
APPROVED	J. Q	DATE	07/28/25
UNLESS OTHERWISE SPECIFIED DIMENSIONS ARE IN MILLIMETERS, DIMENSIONS IN [] ARE IN INCHES FOR CUSTOMER REFERENCE ONLY UNLESS OTHERWISE SPECIFIED TOLERANCE ARE:		THESE DRAWINGS AND SPECIFICATIONS ARE THE PROPERTY OF ANOISON ELECTRONICS LTD AND SHOULD NOT BE USED WITHOUT WRITTEN PERMISSION COPYRIGHT © 2025 ANOISON ELECTRONICS LTD	
.XX	±0.13 [0.005"]		
.X	±0.20 [0.008"]		
X	±0.50 [0.019"]		
.X°	±1°		
X°	±2°		

TITLE ADAPTER, SMA FEMALE TO PUSH-ON RP SMA FEMALE BULKHEAD			
VIEW 	PART NO. ANO 212-214-1684		
SIZE A3	SCALE 5:1	SHEET 1/1	REV. G