

4

3

2

1

MATERIAL & FINISH:

- 1. OUTER CONTACT: BRASS, GOLD PLATED
- 2. CENTER CONTACT: BERYLLIUM COPPER ALLOY, GOLD PLATED
- 3. INSULATOR: PTFE

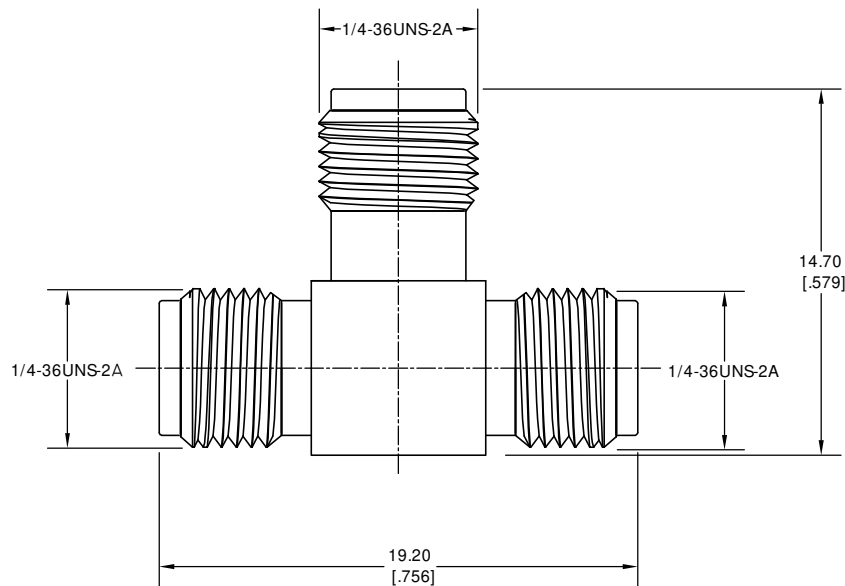
ELECTRICAL DATA:

- 1. IMPEDANCE: 50 OHMS
- 2. FREQUENCY RANGE: DC~3 GHz


ENVIRONMENTAL DATA:

- 1. TEMPERATURE RANGE: -40 °C~+125 °C
- 2. 2011/65/EU (RoHS) AND 2015/863/(RoHS): COMPLIANT
- 3. 1999/45/EC (REACH): COMPLIANT

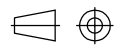
REVISIONS			
REV.	DESCRIPTION	DATE	APPROVED
A	INITIAL RELEASE	12/16/20	J QU



DRAWN	L. YANG	DATE	12/16/20
CHECKED	W. YANG	DATE	12/16/20
APPROVED	J QU	DATE	12/16/20
UNLESS OTHERWISE SPECIFIED DIMENSIONS ARE IN MILLIMETERS, DIMENSIONS IN [] ARE IN INCHES FOR CUSTOMER REFERENCE ONLY UNLESS OTHERWISE SPECIFIED TOLERANCE ARE:		THESE DRAWINGS AND SPECIFICATIONS ARE THE PROPERTY OF ANOISON ELECTRONICS LTD AND SHOULD NOT BE USED WITHOUT WRITTEN PERMISSION COPYRIGHT © 2020 ANOISON ELECTRONICS LTD	
XX	±0.13 [.005"]		
X	±0.20 [.008"]		
X	±0.50 [.019"]		
X°	±1°		
X°	±2°		



TITLE
"T" ADAPTER, SMA TRIPLE FEMALE

VIEW 

PART NO. ANO 212-212-2121			
SIZE A3	SCALE 2.5:1	SHEET 1/1	REV. A

4

3

2

1